



## VZ.7.100/..

- for heavy loads
- optimum edge protection
- continuous load transfer

### FEATURES

resistant to heavy loads, trafficable by fork-lift trucks, lost formwork element for optimum joint edge protection of work-/compression joints in highly stressed industrial concrete floors, continuous load transfer (thus preventing load-related height offset)

### APPLICATIONS

all industrial applications

### MATERIAL

hot-dip galvanised steel, EPDM cellular rubber in the central section

### COVERING TYPES

concrete, industrial coverings

### TRAFFICABILITY

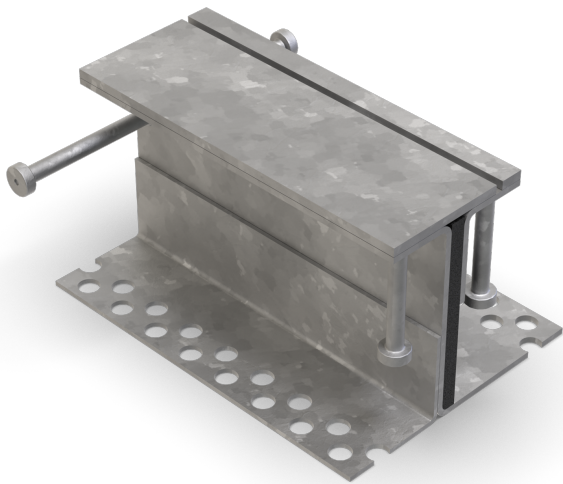
industrial trucks (lifting trucks, fork-lifts etc.), passenger cars, trucks

### FORMED PARTS

corner piece, T-piece, cross piece

### NOTES

Also available with tube sleeve for on-site shear force dowel.



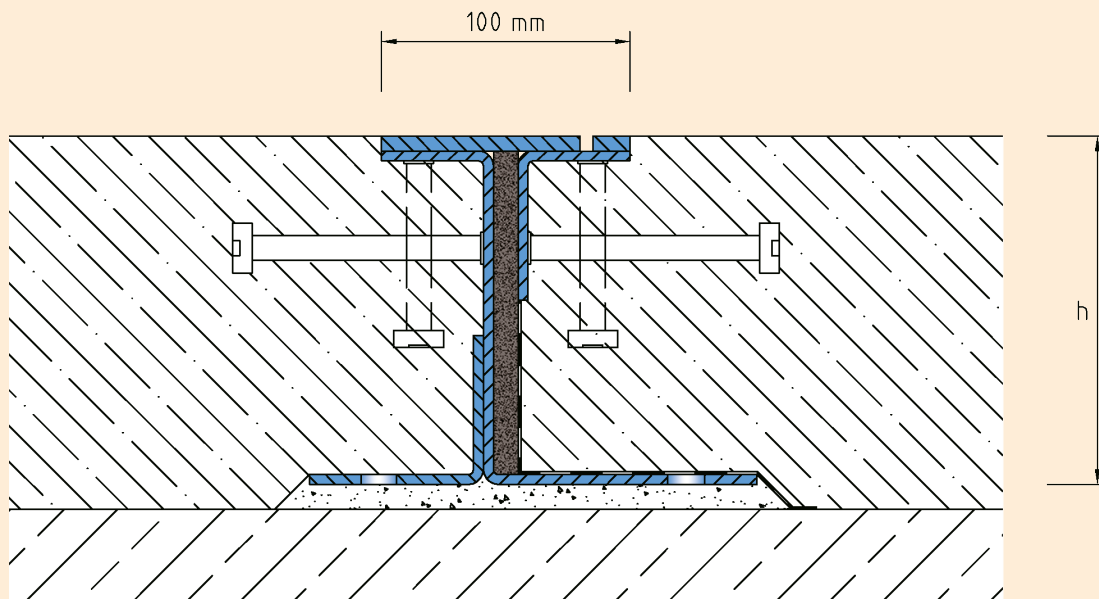
### TECHNICAL DATA

Movement horizontal:	10 mm ( $\pm 5$ mm)
Visible width:	100 mm
Load rating:	wheel load 5000 kg up to $\varnothing$ 150 mm, B = 100 mm
Load rating trucks:	600 kN (DIN 1072)
Load rating forklifts:	150 kN (DIN 1055-3)
Supply length:	3 mtr

### DESIGNS

ARTICLE NO.	PROFILE HEIGHT (h)
VZ.7.100/140	140 mm
VZ.7.100/160	160 mm
VZ.7.100/180	180 mm
VZ.7.100/200	200 mm

Special heights on request.



# VZ.7.100

Subject to technical change without notice.