



VA.7.110/0

- for heavy loads
- installation in site-mixed concrete
- vibration-free trafficability
- visible surface in stainless steel

FEATURES

resistant to heavy loads, trafficable by fork-lift trucks

APPLICATIONS

all industrial applications, areas with use of driverless vehicular systems, shopping centres, railway stations, airports, exhibition halls

MATERIAL

substructure hot-dip galvanised steel and visible surface stainless steel V2A (V4A on request)

COVERING TYPES

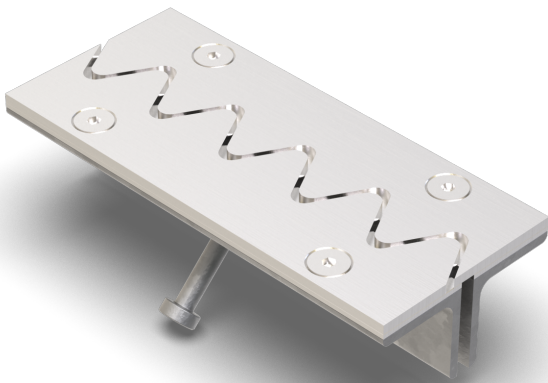
concrete, industrial coverings

TRAFFICABILITY

industrial trucks (lifting trucks, fork-lifts etc.), passenger cars, trucks

FORMED PARTS

corner piece, T-piece, cross piece

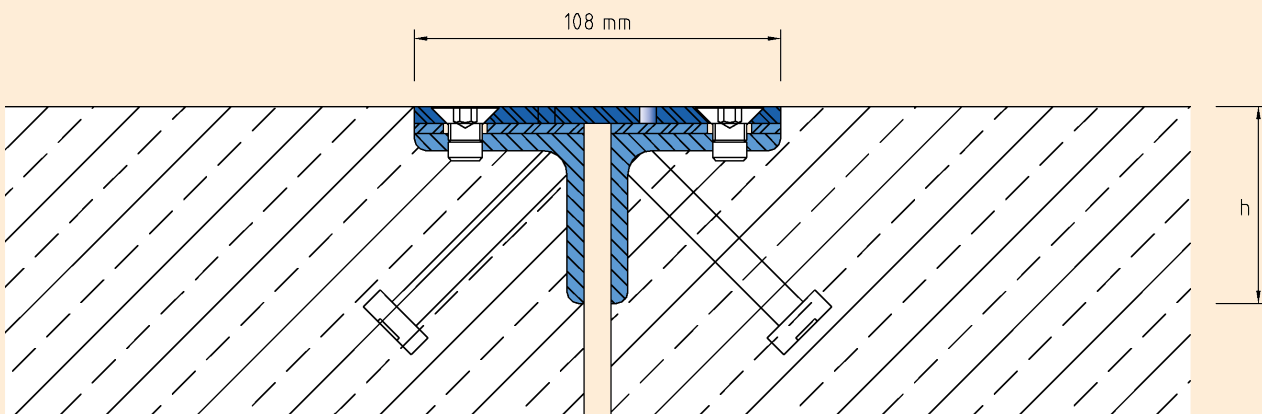


TECHNICAL DATA

Movement horizontal:	10 mm (± 5 mm)
Visible width:	108 mm
Maximal joint width:	10 mm
Load rating:	wheel load 5000 kg up to \varnothing 150 mm, B = 100 mm
Load rating trucks:	600 kN (DIN 1072)
Load rating forklifts:	150 kN (DIN 1055-3)
Supply length:	3 mtr

DESIGNS

ARTICLE NO.	PROFILE HEIGHT (h)
VA.7.110/0	58 mm



VA.7.110

Subject to technical change without notice.