



VA.6.165/19

- for heavy loads
- low installation height
- vibration-free trafficability
- visible surface in stainless steel

FEATURES

resistant to heavy loads, trafficable by fork-lift trucks, due to the special profile design, no bearing leg slips under the covering (this prevents the covering from tearing off in the case of thin coverings)

APPLICATIONS

all industrial applications, areas with use of driverless vehicular systems, shopping centres, railway stations, airports, exhibition halls

MATERIAL

substructure hot-dip galvanised steel and visible surface stainless steel V2A (V4A on request)

COVERING TYPES

coating, concrete, screed, industrial coverings, magnesia flooring, natural and stone slabs

TRAFFICABILITY

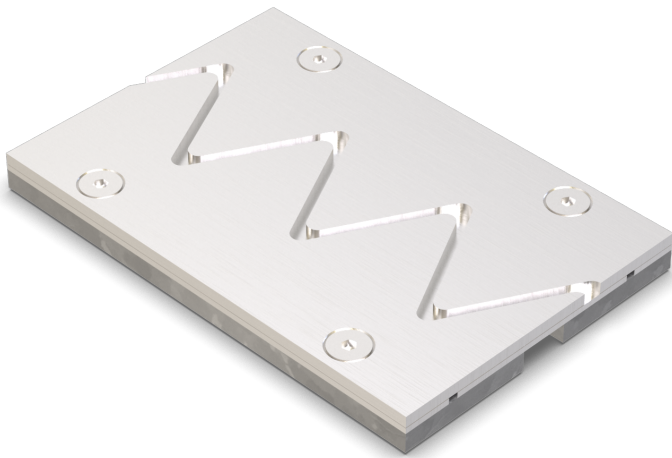
industrial trucks (lifting trucks, fork-lifts etc.), passenger cars, trucks

FORMED PARTS

corner piece, T-piece, cross piece, floor-wall connections

NOTES

Depending on the floor covering, we recommend installing a grouting seal between the joint profile and the covering to prevent the hairline crack caused by the building physics.

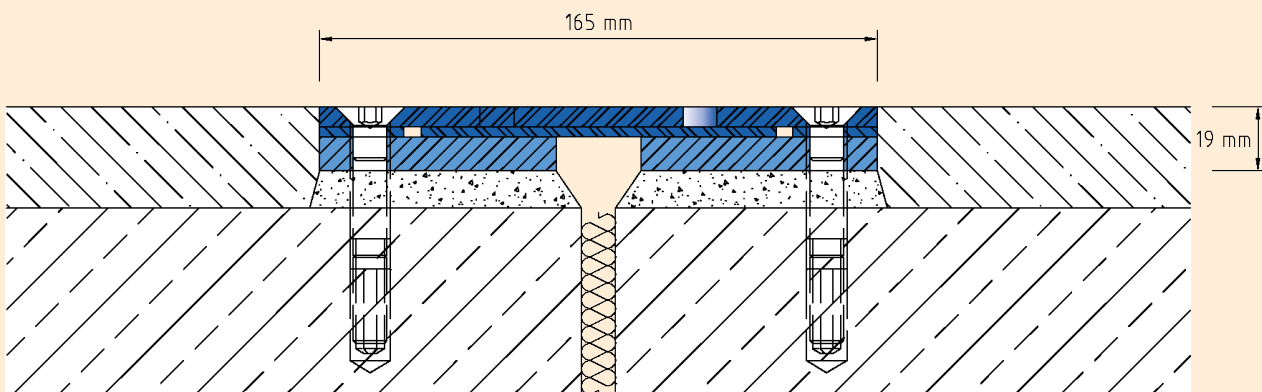


TECHNICAL DATA

Movement horizontal:	30 mm (-10/+20 mm)
Visible width:	165 mm
Maximal joint width:	15 mm
Load rating:	wheel load 5000 kg up to Ø 150 mm, B = 100 mm
Load rating trucks:	600 kN (DIN 1072)
Load rating forklifts:	150 kN (DIN 1055-3)
Supply length:	3 mtr

DESIGNS

ARTICLE NO.	PROFILE HEIGHT (h)	RECESS (BxT)
VA.6.165/19	19 mm	300 x 29 mm



VA.6.165

Subject to technical change without notice.