



ST.7.110/0

- for heavy loads
- installation in site-mixed concrete
- vibration-free trafficability

FEATURES

resistant to heavy loads, trafficable by fork-lift trucks

APPLICATIONS

all industrial applications, areas with use of driverless vehicular systems, shopping centres, railway stations, airports, exhibition halls

MATERIAL

black steel

COVERING TYPES

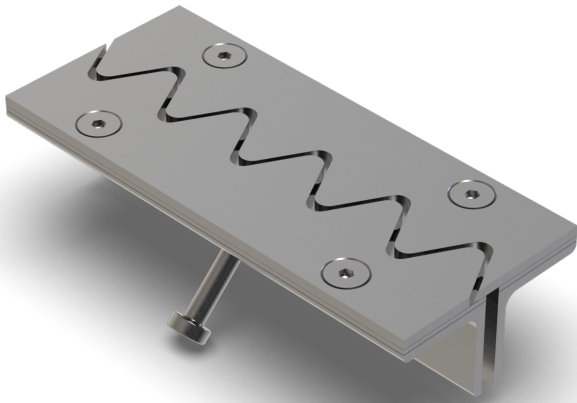
concrete, industrial coverings

TRAFFICABILITY

industrial trucks (lifting trucks, fork-lifts etc.), passenger cars, trucks

FORMED PARTS

corner piece, T-piece, cross piece

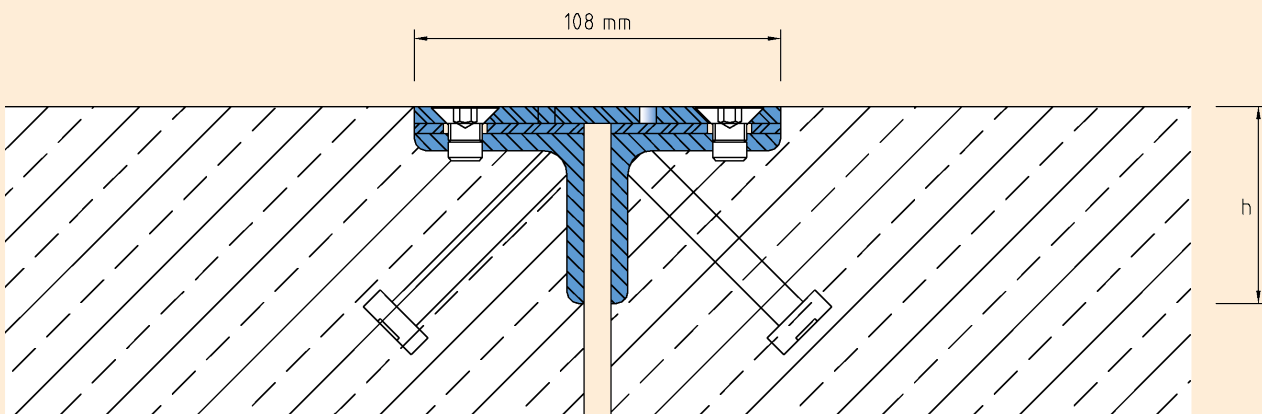


TECHNICAL DATA

Movement horizontal:	10 mm (± 5 mm)
Visible width:	108 mm
Maximal joint width:	10 mm
Load rating:	wheel load 5000 kg up to \varnothing 150 mm, B = 100 mm
Load rating trucks:	600 kN (DIN 1072)
Load rating forklifts:	150 kN (DIN 1055-3)
Supply length:	3 mtr

DESIGNS

ARTICLE NO.	PROFILE HEIGHT (h)
ST.7.110/0	58 mm



ST.7.110

Subject to technical change without notice.