



MST48/..

- for heavy loads
- suitable for all types of covering
- replaceable expansion insert



FEATURES

resistant to heavy loads, trafficable by fork-lift trucks, expansion insert can be replaced anytime, abrasion-, weather- and temperature-resistant (-40°C to +120°C), resistant to de-icing salt and waste water (alkalis, microbes, bacteria)

APPLICATIONS

all industrial applications, exhibition halls, especially for the separation of machine foundations

MATERIAL

stainless steel V2A, hot-dip galvanised steel, black steel

COVERING TYPES

asphalt, coating, concrete, screed, industrial coverings, natural and stone slabs

TRAFFICABILITY

industrial trucks (lifting trucks, fork-lifts etc.), passenger cars, trucks

FORMED PARTS

corner piece, T-piece, cross piece

NOTES

Depending on the floor covering, we recommend installing a grouting seal between the joint profile and the covering to prevent the hairline crack caused by the building physics.

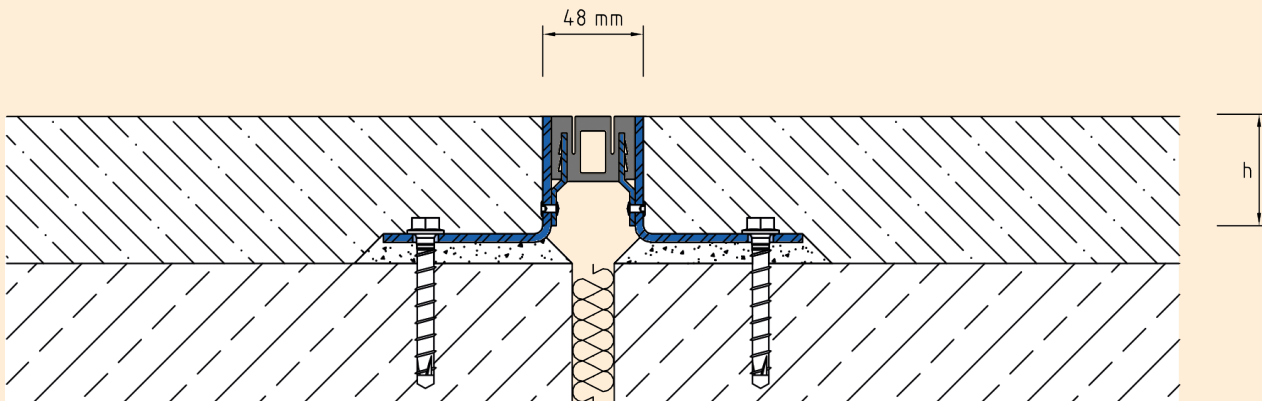
TECHNICAL DATA

Movement horizontal:	20 mm (±10 mm)
Movement vertical:	20 mm (±10 mm)
Visible width:	48 mm
Maximal joint width:	40 mm
Load rating:	wheel load 2500 kg up to Ø 150 mm, B = 100 mm
Load rating trucks:	600 kN (DIN 1072)
Load rating forklifts:	100 kN (DIN 1055-3)
Supply length:	3 mtr
Color of expansion insert:	schwarz

DESIGNS

ARTICLE NO.	PROFILE HEIGHT (h)	RECESS (BxT)
MST48/60	60 mm	240 x 70 mm
MST48/80	80 mm	240 x 90 mm
MST48/100	100 mm	240 x 110 mm

Special heights on request.



MST48

Subject to technical change without notice.