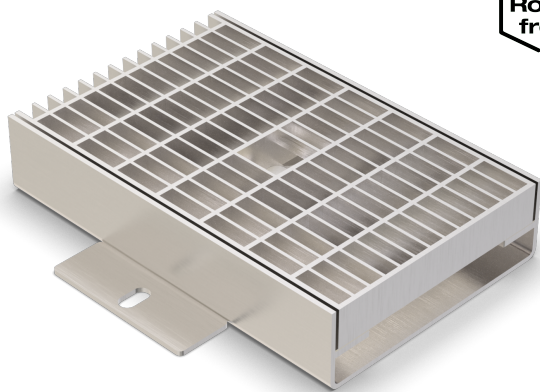


ALR.5.150/..

- car-trafficable
- low installation height



FEATURES

permanently tight, corrosion-resistant, high flexibility (variable lengths, heights and widths), mesh size grating in 30x10 mm (30x30 mm on request)

APPLICATIONS

parking decks, parking garages, underground garages, all industrial applications, shopping centres, railway stations, airports, exhibition halls

MATERIAL

stainless steel V2A (V4A on request)

COVERING TYPES

coating, screed, industrial coverings

TRAFFICABILITY

passenger cars

FORMED PARTS

channel end piece (end plate welded in at the front), corner piece, T-piece, cross piece, channel drain, 2-fold locking per grating

NOTES

The individual channel elements are tightly welded together during installation on site.

For stainless steel, the general cleaning and care instructions must be observed (see also download area).

Installation by our own fitters recommended.

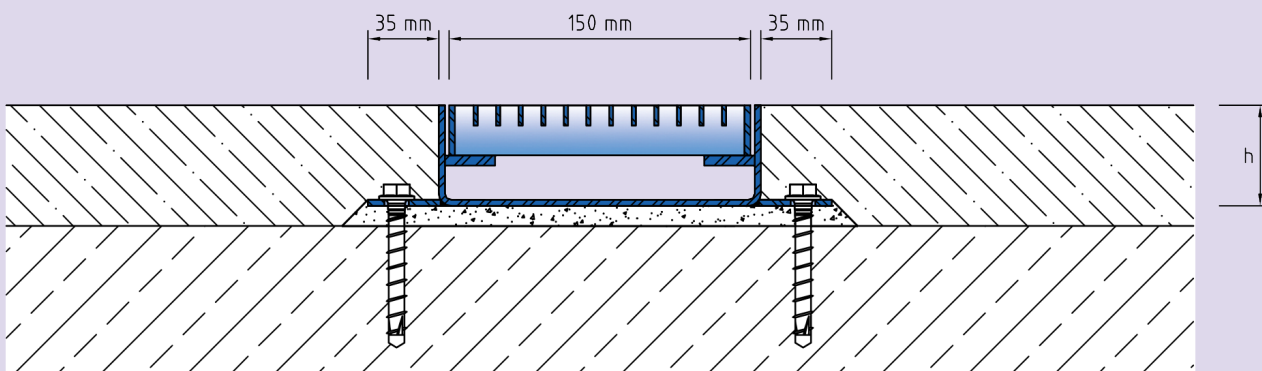
TECHNICAL DATA

Material/sheet thickness: 3 mm
 Supply length: 3 mtr
 Steel grating width: 150 mm

DESIGNS

ARTICLE NO.	CHANNEL HEIGHT (h)	RECESS (BxT)
ALR.5.150/50	50 mm	270 x 60 mm
ALR.5.150/60	60 mm	270 x 70 mm
ALR.5.150/80	80 mm	270 x 95 mm
ALR.5.150/100	100 mm	270 x 115 mm

Special heights on request.



ALR.5.150

Subject to technical change without notice.