

ALR.4.150/..

- car-trafficable
- low installation height
- with coating-flange

FEATURES

permanently tight, corrosion-resistant, high flexibility (variable lengths, heights and widths), grating with mesh size 30x10 mm (30x30 mm on request), grid lock inclusive

APPLICATIONS

parking decks, parking garages, underground garages, all industrial applications, shopping centres, railway stations, airports, exhibition halls

MATERIAL

stainless steel V2A (V4A on request)

COVERING TYPES

coating, screed, industrial coverings

TRAFFICABILITY

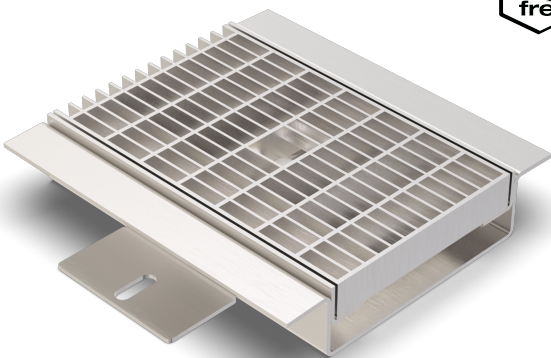
passenger cars

FORMED PARTS

corner piece, T-piece, cross piece, channel end piece (flange all around or upstand), channel drain

NOTES

The individual channel elements are tightly welded together during installation on site.
For stainless steel, the general cleaning and care instructions must be observed (see also download area).
Installation by our own fitters recommended.



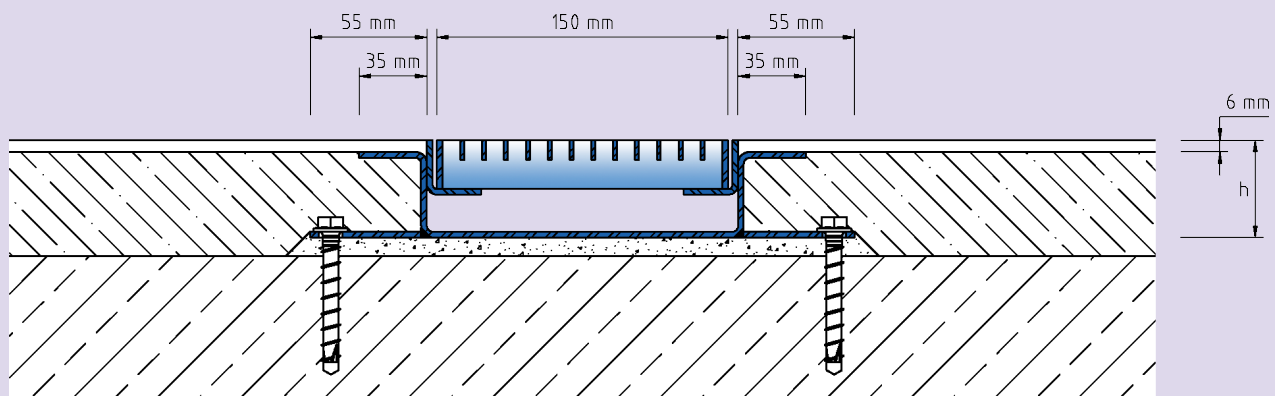
TECHNICAL DATA

Material/sheet thickness: 3 mm
Supply length: 3 mtr
Steel grating width: 150 mm

DESIGNS

ARTICLE NO.	CHANNEL HEIGHT (h)	RECESS (BxT)
ALR.4.150/50	50 mm	310 x 60 mm
ALR.4.150/60	60 mm	310 x 70 mm
ALR.4.150/80	80 mm	310 x 95 mm
ALR.4.150/100	100 mm	310 x 115 mm

Special heights on request.



ALR.4.150

Subject to technical change without notice.