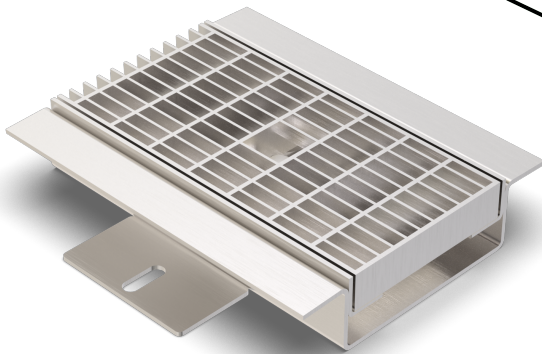


# ALR.4.120/..

- car-trafficable
- low installation height
- with coating-flange



### FEATURES

permanently tight, corrosion-resistant, high flexibility (variable lengths, heights and widths), grating with mesh size 30x10 mm (30x30 mm on request), grid lock inclusive

### APPLICATIONS

parking decks, parking garages, underground garages, all industrial applications, shopping centres, railway stations, airports, exhibition halls

### MATERIAL

stainless steel V2A (V4A on request)

### COVERING TYPES

coating, screed, industrial coverings

### TRAFFICABILITY

passenger cars

### FORMED PARTS

corner piece, T-piece, cross piece, channel end piece (flange all around or upstand), channel drain

### NOTES

The individual channel elements are tightly welded together during installation on site.  
For stainless steel, the general cleaning and care instructions must be observed (see also download area).  
Installation by our own fitters recommended.

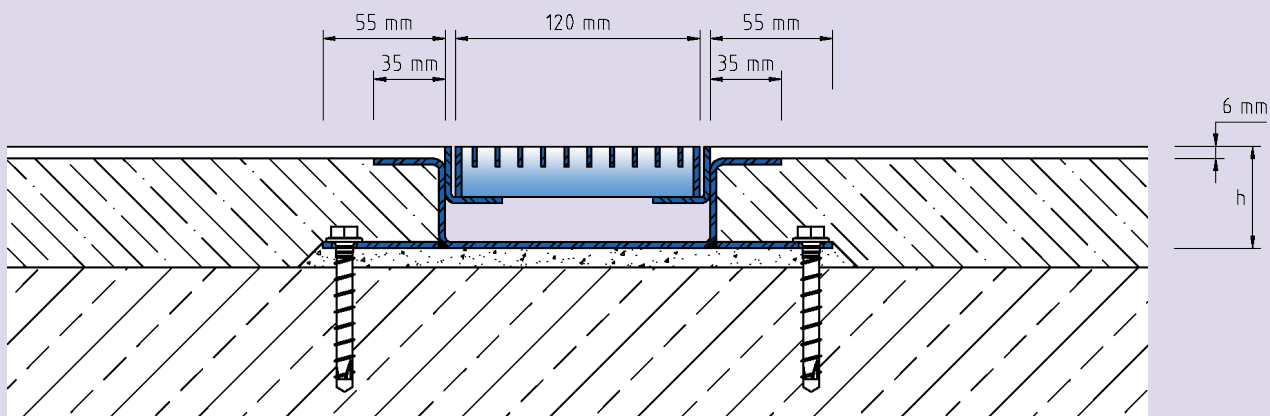
### TECHNICAL DATA

Material/sheet thickness: 3 mm  
Supply length: 3 mtr  
Steel grating width: 120 mm

### DESIGNS

ARTICLE NO.	CHANNEL HEIGHT (h)	RECESS (BxT)
ALR.4.120/50	50 mm	280 x 60 mm
ALR.4.120/60	60 mm	280 x 70 mm
ALR.4.120/80	80 mm	280 x 95 mm
ALR.4.120/100	100 mm	280 x 115 mm

Special heights on request.



ALR.4.120

Subject to technical change without notice.