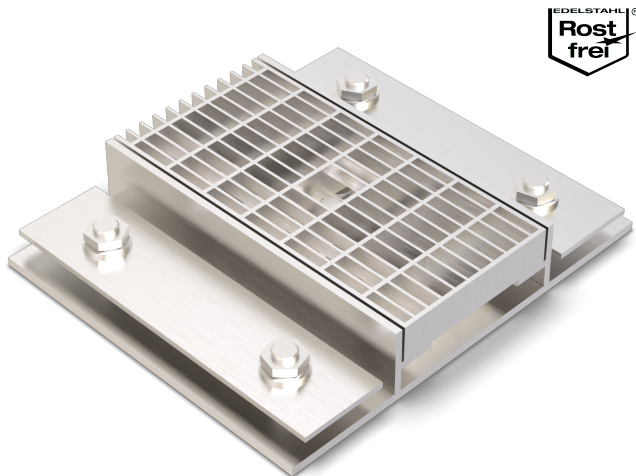


ALR.1.120/..

- high load-bearing capacity
- with loose/fixed flange



FEATURES

resistant to heavy loads, permanently tight, corrosion-resistant, high flexibility (variable lengths, heights and widths), mesh size grating in 30x10 mm (30x30 mm on request)

APPLICATIONS

parking decks, parking garages, underground garages, all industrial applications, shopping centres, railway stations, airports, exhibition halls

MATERIAL

hot-dip galvanised steel, stainless steel V2A (V4A on request)

COVERING TYPES

asphalt, screed

TRAFFICABILITY

passenger cars (trucks on request)

FORMED PARTS

channel end piece (flange all around or upstand), corner piece, T-piece, cross piece, 2-fold locking per grating

NOTES

The individual channel elements are tightly welded together during installation on site.

Drainage slots are possible (on request).

For stainless steel, the general cleaning and care instructions must be observed (see also download area).

Installation by our own fitters recommended.

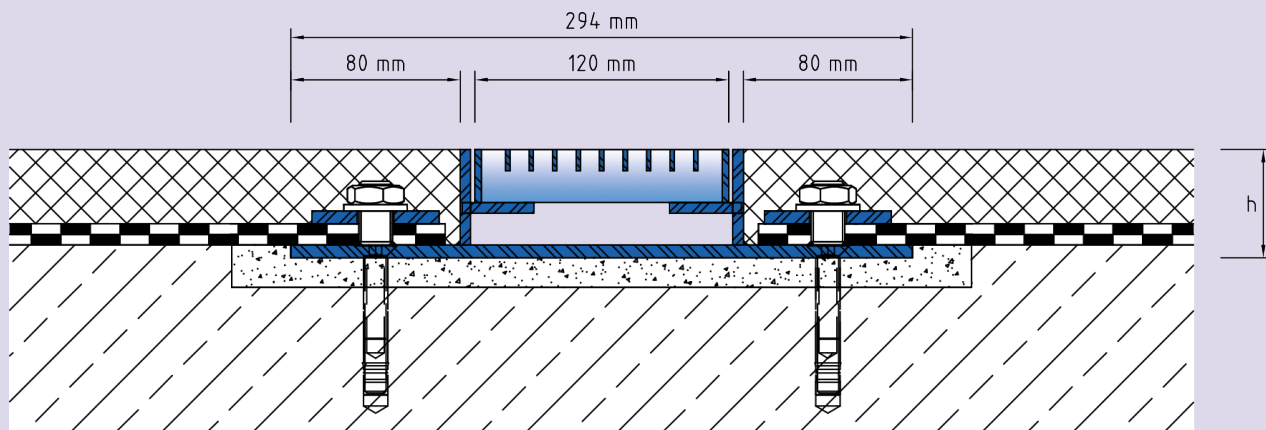
TECHNICAL DATA

Material thickness fixed flange: 6 mm
 Material thickness vertical base: 5 mm
 Supply length: 3 mtr
 Steel grating width: 120 mm

DESIGNS

ARTICLE NO.	CHANNEL HEIGHT (h)	RECESS (BxT)
ALR.1.120/51	51 mm	350 x 20 mm
ALR.1.120/61	61 mm	350 x 20 mm
ALR.1.120/81	81 mm	350 x 20 mm

Special heights on request.



ALR.1.120

Subject to technical change without notice.