

ALK.4.250/..

- low installation height
- with coating-flange

FEATURES

permanently tight, corrosion-resistant, high flexibility (variable heights and widths), grating with mesh size 30x10 mm (30x30 mm on request), grid lock inclusive, drain pipe DN100, length 200 mm

APPLICATIONS

parking decks, parking garages, underground garages, all industrial applications, shopping centres, railway stations, airports, exhibition halls

MATERIAL

stainless steel V2A (V4A on request)

COVERING TYPES

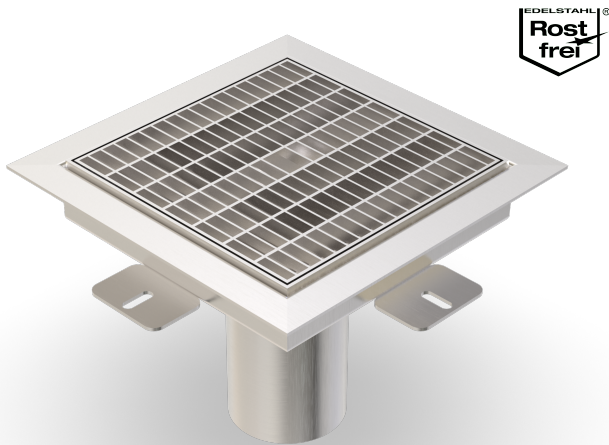
coating, screed, industrial coverings

TRAFFICABILITY

passenger cars

NOTES

For stainless steel, the general cleaning and care instructions must be observed (see also download area).



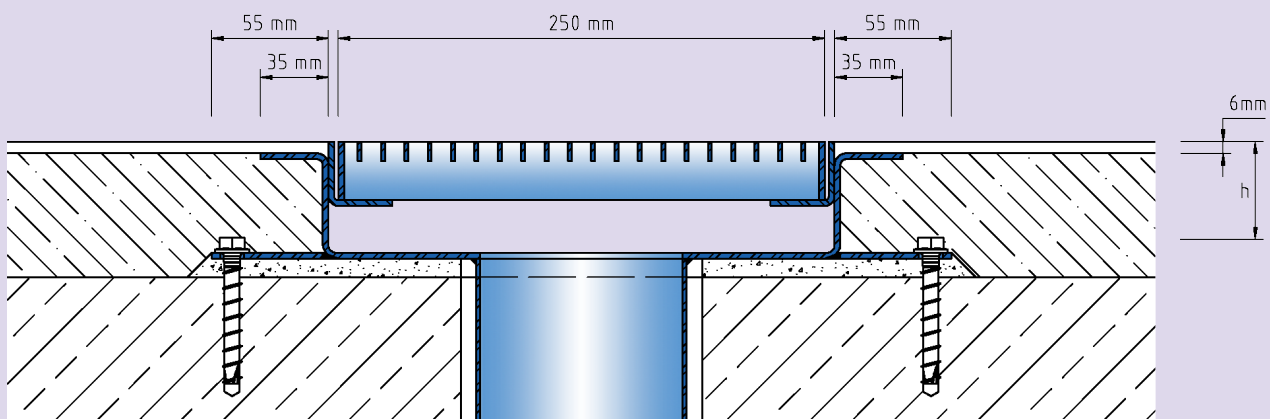
TECHNICAL DATA

Material/sheet thickness: 3 mm
Steel grating width: 250 mm

DESIGNS

ARTICLE NO.	CHANNEL HEIGHT (h)	RECESS (BxT)
ALK.4.250/60	60 mm	430 x 70 mm
ALK.4.250/80	80 mm	430 x 90 mm

Special heights on request.



ALK.4.250

Subject to technical change without notice.