

# ALK.4.150/..

- low installation height
- with coating-flange

## FEATURES

permanently tight, corrosion-resistant, high flexibility (variable heights and widths), grating with mesh size 30x10 mm (30x30 mm on request), grid lock inclusive, drain pipe DN100, length 200 mm

## APPLICATIONS

parking decks, parking garages, underground garages, all industrial applications, shopping centres, railway stations, airports, exhibition halls

## MATERIAL

stainless steel V2A (V4A on request)

## COVERING TYPES

coating, screed, industrial coverings

## TRAFFICABILITY

passenger cars

## NOTES

For stainless steel, the general cleaning and care instructions must be observed (see also download area).



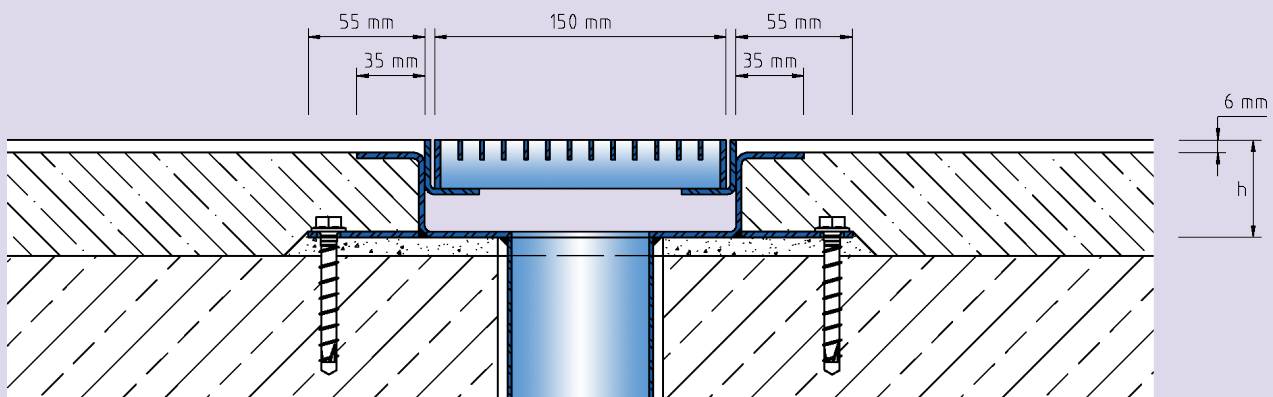
## TECHNICAL DATA

Material/sheet thickness: 3 mm  
Steel grating width: 150 mm

## DESIGNS

ARTICLE NO.	CHANNEL HEIGHT (h)	RECESS (BxT)
ALK.4.150/50	50 mm	330 x 60 mm
ALK.4.150/60	60 mm	330 x 70 mm

Special heights on request.



ALK.4.150

Subject to technical change without notice.