

ALK.1.250/..

- high load-bearing capacity
- with loose/fixed flange

FEATURES

resistant to heavy loads, permanently tight, corrosion-resistant, high flexibility (variable heights and widths), grating with mesh size 30x10 mm (30x30 mm on request), grid lock inclusive, drain pipe DN100, length 200 mm

APPLICATIONS

parking decks, parking garages, underground garages, all industrial applications, shopping centres, railway stations, airports, exhibition halls

MATERIAL

hot-dip galvanised steel, stainless steel V2A (V4A on request)

COVERING TYPES

asphalt, screed

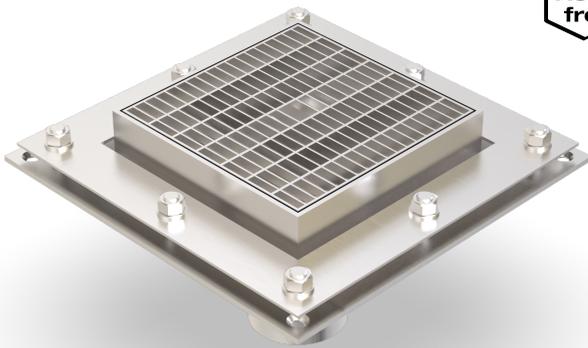
TRAFFICABILITY

passenger cars (trucks on request)

NOTES

Drainage slots are possible (on request).

For stainless steel, the general cleaning and care instructions must be observed (see also download area).



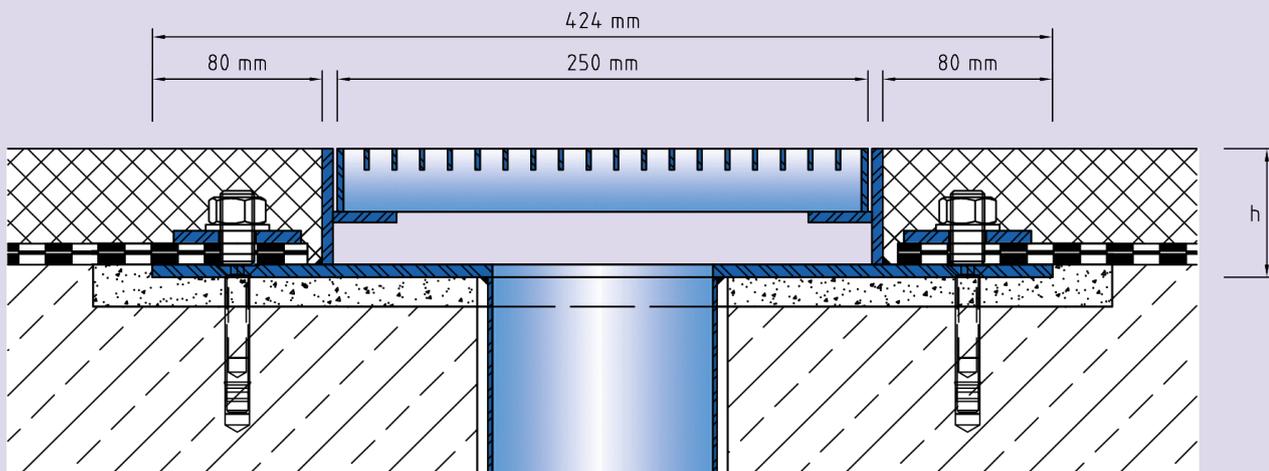
TECHNICAL DATA

Material thickness fixed flange: 6 mm
 Material thickness vertical base: 5 mm
 Steel grating width: 250 mm

DESIGNS

ARTICLE NO.	CHANNEL HEIGHT (h)	RECESS (BxT)
ALK.1.250/61	61 mm	450 x 20 mm
ALK.1.250/81	81 mm	450 x 20 mm

Special heights on request.



ALK.1.250

Subject to technical change without notice.