



## AL.6.255/22

- for normal loads
- low installation height
- three-dimensional absorption of movements



### FEATURES

resistant to heavy loads, trafficable by fork-lift trucks, due to the special profile design, no bearing leg slips under the covering (this prevents the covering from tearing off in the case of thin coverings)

### APPLICATIONS

all industrial applications, shopping centres, railway stations, airports, exhibition halls

### MATERIAL

aluminium

### COVERING TYPES

coating, concrete, screed, industrial coverings, natural and stone slabs

### TRAFFICABILITY

industrial trucks (lifting trucks, fork-lifts etc.), passenger cars, trucks

### FORMED PARTS

corner piece, T-piece, cross piece

### NOTES

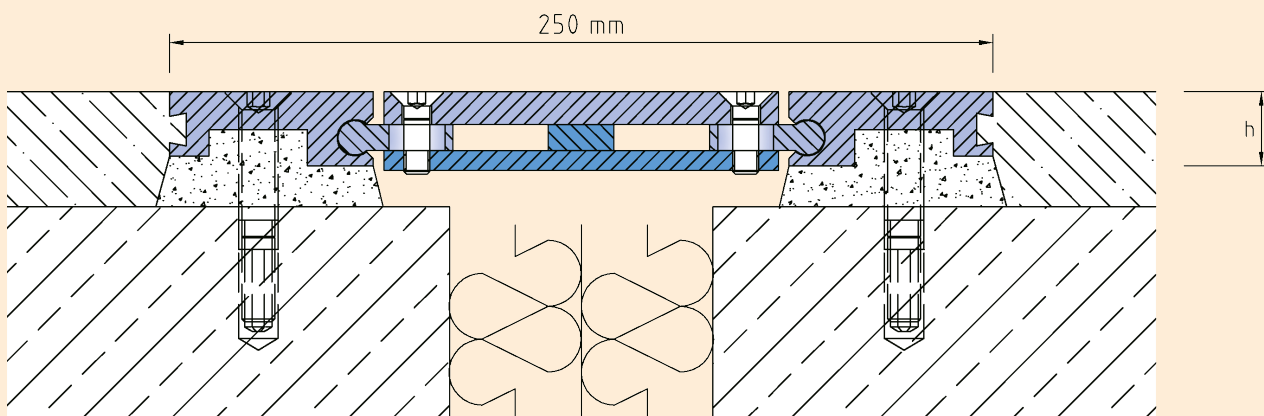
Depending on the floor covering, we recommend installing a grouting seal between the joint profile and the covering to prevent the hairline crack caused by the building physics.

### TECHNICAL DATA

Movement horizontal:	10 mm (±5 mm)
Movement vertical:	8 mm (±4 mm)
Visible width:	250 mm
Maximal joint width:	80 mm
Load rating:	wheel load 1000 kg up to Ø 150 mm, B = 100 mm
Load rating trucks:	300 kN (DIN 1072)
Load rating forklifts:	70 kN (DIN 1055-3)
Supply length:	3 mtr

### DESIGNS

ARTICLE NO.	PROFILE HEIGHT (h)	RECESS (BxT)
AL.6.255/22	22 mm	390 x 32 mm



AL.6.255

Subject to technical change without notice.