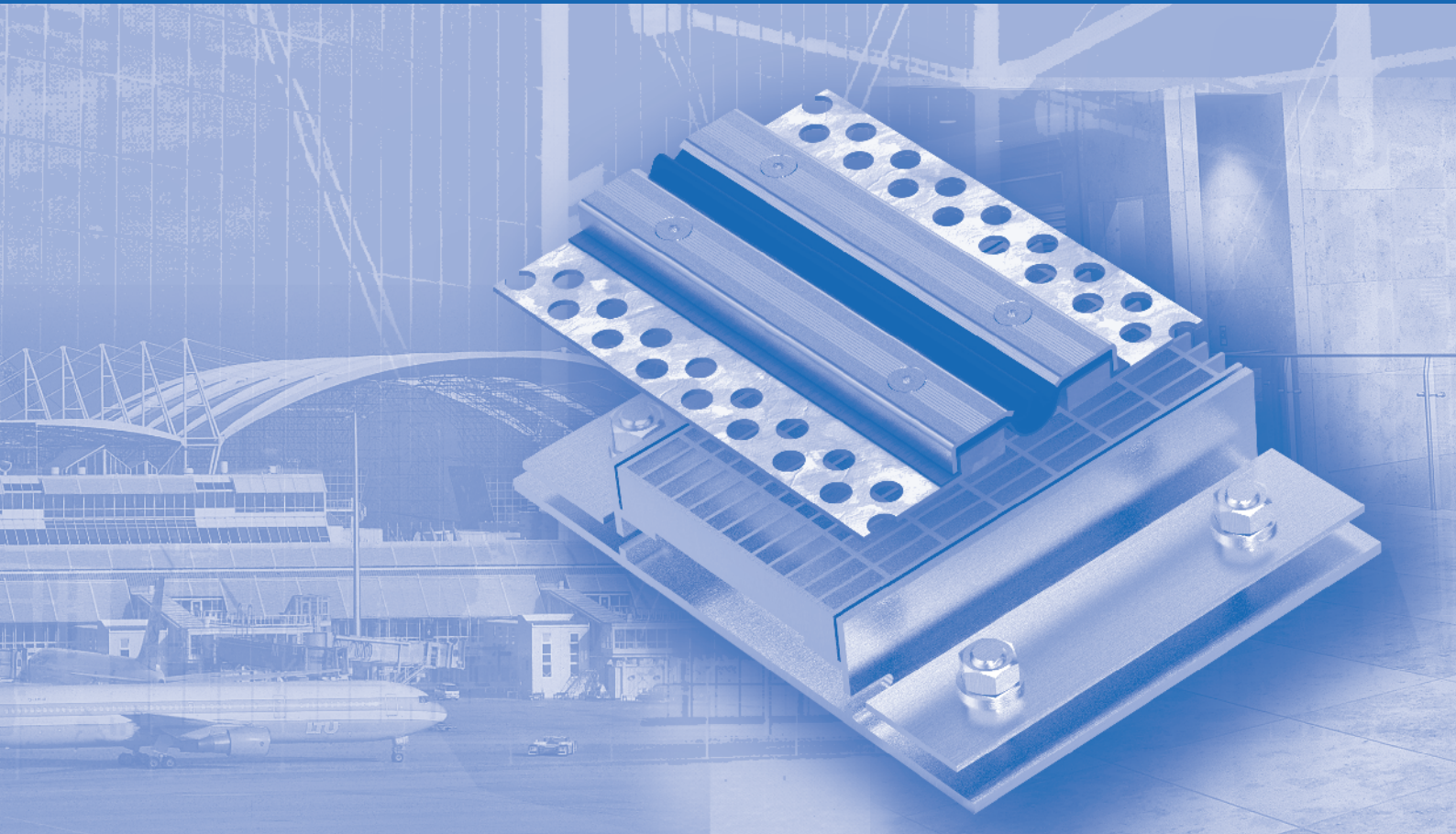


PERFECT PROFILES - SERVICE EXCELLENCE



PERFECT JOINT PROFILES - SERVICE EXCELLENCE

The name of reliability: **BUCHBERGER PROFILSYSTEME**.
High-quality joint profiles: From planning right through
to delivery.



BUCHBERGER
PROFILSYSTEME

LONG-TERM EXPERIENCE - MAJOR SUCCESSES

For more than 30 years, our customers have considered us to be a reliable partner for joint profiles: BUCHBERGER PROFILSYSTEME is today one of Europe's market leaders.

One associates the name BUCHBERGER PROFILSYSTEME with an efficient, medium-sized Company. The head office is based in Hofstetten, Bavaria's most central location. Our Company's history spans more than 70 years, its very first origins being a repair shop for agricultural machinery. Over the decades, we have made the transition to become a progressive and future-facing Company. Proven traditions such as craftsmanship and the correct handling of orders are still however the key focus of our success.

Our innovative ideas, modern product solutions and consistent quality in production is unprecedented.

For more than three decades, we have specialised in the production of joint profiles and our Company has enjoyed an excellent reputation since that time. BUCHBERGER PROFILSYSTEME has aspired to become one of the market leaders for joint profiles. In many areas, we concentrate on setting standards - this will remain our priority for the future. We provide reliable solutions, develop innovative ideas and identify future-facing products, which will be pioneers in the market.

Perfect profiles - service excellence. This is the basis of our work ethic. Our company's strength lies in our extensive and constantly optimised range of services: consulting, planning, development, construction, production and distribution.

Powerful service from a single source -
BUCHBERGER PROFILSYSTEME.



WATERTIGHT PROFILES

Especially for parking garages and buildings, hospitals and industrial plants; also for hygienic requirements. Solid steel/stainless steel constructions.



HEAVY-DUTY PROFILES

For shopping centres, trade fair and exhibition halls, production halls and warehouses, railway stations and airports. Solid full metal constructions, high load capacity.



STANDARD PROFILES

Ideal for residential, office and administrative buildings. PVC-free expansion inserts, available in various colours.



GUTTERS

For drainage of parking areas for motor vehicles or other goods, industrial and exhibition halls and use in hygienic areas such as hospitals or canteen kitchens as well as food processing plants.



COMBINATIONS

Combines the well-known advantages of watertight joint profiles with gutters.



MORE PROFILES AND FITTING PARTS

Our customised solutions for special cases. Individually planned, specially manufactured: Walkway protection profiles, special profiles, loose/fixed flange constructions, etc.

PERFEXT PROFILES - PROVEN QUALITY

Both our standard and customised structures have proved their worth in practise. For builders, architexts, construction companies and manufactures alike, the BUCHBERGER PROFILSYSTEME name is synonymous with quality.



Modern Architecture,
Neues Stadttor
Dusseldorf



A location of the future:
Neue Messe in Munich, where
we have provided more than
10,000 meters of profiles.



Our aesthetic solutions
for traffic areas,
Landeszentralbank in
Munich.



Westfalen Stadium in
Dortmund - stability with
our heavy duty jointi profiles.

Munich Airport, Audi AG Ingolstadt, Berlin Messe,
Gropius arcades Berlin, Police Headquarters Berlin,
Messe car-park Hanover, BfA Stralsund, Siemec
Dresden, WordTradeCenter Dresden, IBM Training
Centre Stuttgart, Daimler Benz Sindelfingen, etc.

TEST CERTIFICATE

General building regulations test certificate

Creator: MFPA - Gesellschaft für Materialforschung und Prüfungsanstalt für das Bauwesen Leipzig

VA.9.95/..
VA.9.115/..
VA.9.135/..



VA.8.95/.. F
VA.8.115/.. F
VA.8.135/.. F



BBF124/55

Testing of the fire behavior of building products according to DIN EN ISO 9239 - 1 and DIN EN ISO 11925 - 2

Creator: MPA NRW - Materialprüfungsamt Nordrhein-Westfalen

VA.8.95/..
VA.8.115/..
VA.8.110/..



Examination of Buchberger profile systems in the rollover test stand

Creator: Technische Universität München

VA.8.95/..
VA.8.95/.. F
VA.8.120/.. F





VA.8.95/..

- high load-bearing capacity
- low profile height
- lightly structured surface with anti-slip effect

FEATURES

watertight, resistant to heavy loads, trafficable by fork-lift trucks, expansion insert can be replaced anytime, abrasion, weather and temperature resistant (-40°C bis +120°C), resistant to salt and waste-water (alcalics, microbes, bacteria), agreements may also be made for other sealing sections

APPLICATIONS

outdoor, multi-storey and underground park decks, ramp accesses, pedestrian bridges, all industrial applications

MATERIAL

hot-dip galvanised steel substructure and high-grade steel V2A surface, synthetic rubber flexible insert (EPDM), sealing insert made from Wolfin IB

COVERING TYPES

coating, concrete, screed, industrial covering, natural and stone slabs

TRAFFICABILITY

passenger car, trucks, fork-lifts

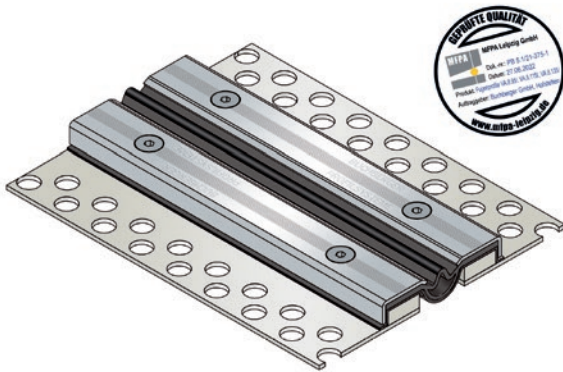
FORMED PARTS

upstand, end piece, corner piece, T piece, cross piece, transition floor to wall

NOTES

The sealing and flexible inserts are connected using M8 bolts positioned at intervals of 150 mm.

The sealing insert wich is looking on the sides of the profile out, has to be connected properly with the sealing system. This is very important to get a watertight result of the joint-profile.

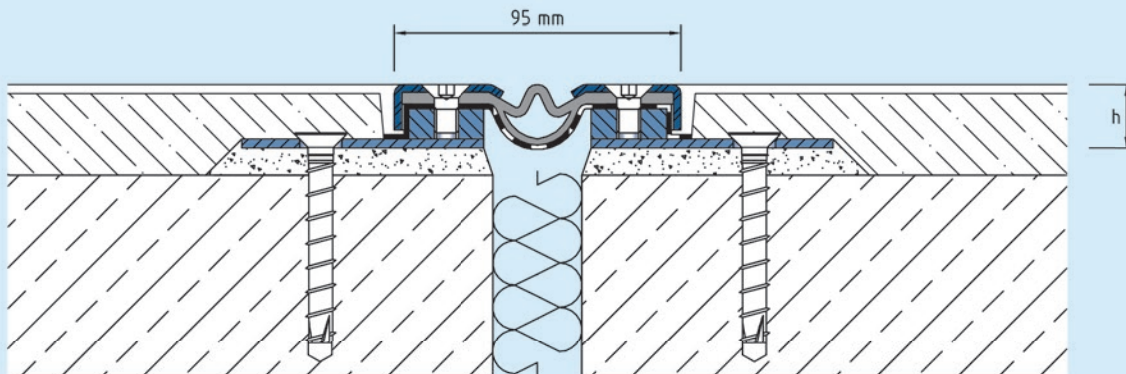


Technical data

Movement horizontal:	40 mm (±20 mm)
Movement vertical:	20 mm (±10 mm)
Visible width:	95 mm
Maximal joint width:	60 mm
Load rating:	wheel load 4500 kg up to Ø 150 mm, B = 100 mm
Load rating trucks:	600 kN (DIN 1072)
Load rating forklifts:	150 kN (DIN 1055-3)
Supply length:	3 mtr
Color of flexible insert:	black

Designs

Article No.	Profile height (h)	Recess(WxD)
VA.8.95/20	21 mm	250 x 31 mm
VA.8.95/35	36 mm	250 x 46 mm
VA.8.95/50	51 mm	250 x 61 mm
VA.8.95/60	61 mm	250 x 71 mm
VA.8.95/90	91 mm	250 x 101 mm



VA.8.95

Subject to technical change without notice.



VA.8.115/..

- high load-bearing capacity
- low profile height
- lightly structured surface with anti-slip effect

FEATURES

watertight, resistant to heavy loads, trafficable by fork-lift trucks, expansion insert can be replaced anytime, abrasion, weather and temperature resistant (-40°C bis +120°C), resistant to salt and waste-water (alcalics, microbes, bacteria), agreements may also be made for other sealing sections

APPLICATIONS

outdoor, multi-storey and underground park decks, ramp accesses, pedestrian bridges, all industrial applications

MATERIAL

hot-dip galvanised steel substructure and high-grade steel V2A surface, synthetic rubber flexible insert (EPDM), sealing insert made from Wolfin IB

COVERING TYPES

coating, concrete, screed, industrial covering, natural and stone slabs

TRAFFICABILITY

passenger car, trucks, fork-lifts

FORMED PARTS

upstand, end piece, corner piece, T piece, cross piece, transition floor to wall

NOTES

The sealing and flexible inserts are connected using M8 bolts positioned at intervals of 150 mm.

The sealing insert wich is looking on the sides of the profile out, has to be connected properly with the sealing system. This is very important to get a watertight result of the joint-profile.

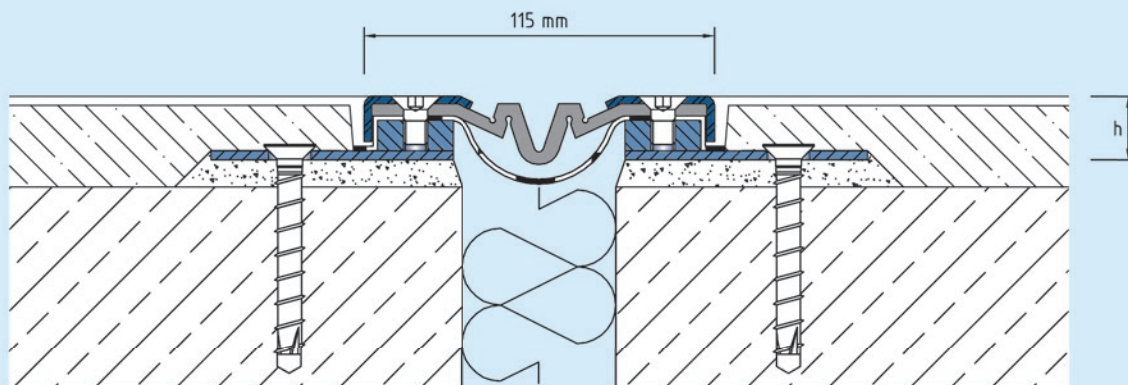


Technical data

Movement horizontal:	60 mm (-25/+35 mm)
Movement vertical:	30 mm (±15 mm)
Visible width:	115 mm
Maximal joint width:	80 mm
Load rating:	wheel load 3500 kg up to Ø 150 mm, B = 100 mm
Load rating trucks:	600 kN (DIN 1072)
Load rating forklifts:	150 kN (DIN 1055-3)
Supply length:	3 mtr
Color of flexible insert:	black

Designs

Article No.	Profile height (h)	Recess (WxD)
VA.8.115/20	21 mm	280 x 31 mm
VA.8.115/35	36 mm	280 x 46 mm
VA.8.115/50	51 mm	280 x 61 mm
VA.8.115/60	61 mm	280 x 71 mm
VA.8.115/90	91 mm	280 x 101 mm



VA.8.115

Subject to technical change without notice.



VA.8.135/..

- high load-bearing capacity
- low profile height
- lightly structured surface with anti-slip effect

FEATURES

watertight, resistant to heavy loads, expansion insert can be replaced anytime, abrasion, weather and temperature resistant (-40°C bis +120°C), resistant to salt and waste-water (alcalics, microbes, bacteria), agreements may also be made for other sealing sections

APPLICATIONS

outdoor, multi-storey and underground park decks, ramp accesses, pedestrian bridges

MATERIAL

hot-dip galvanised steel substructure and high-grade steel V2A surface, synthetic rubber flexible insert (EPDM), sealing insert made from Wolfin IB

COVERING TYPES

coating, concrete, screed, natural and stone slabs

TRAFFICABILITY

passenger car, trucks

FORMED PARTS

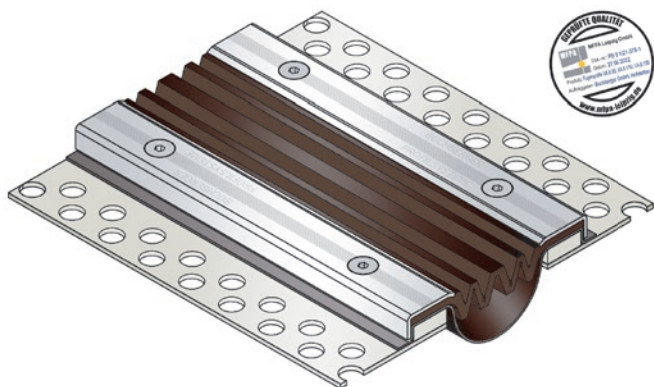
upstand, end piece, corner piece, T piece, cross piece, transition floor to wall

NOTES

The sealing and flexible inserts are connected using M8 bolts positioned at intervals of 150 mm.

The sealing insert wich is looking on the sides of the profile out, has to be connected properly with the sealing system. This is very important to get a watertight result of the joint-profile.

For profile height 21 mm and 36 mm minimum joint width 75 mm.

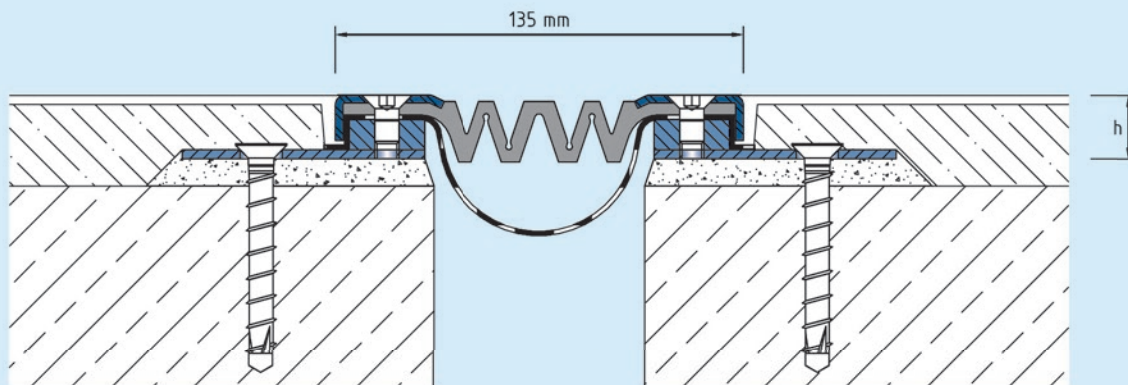


Technical data

Movement horizontal:	80 mm (-30/+50 mm)
Movement vertical:	30 mm (±15 mm)
Visible width:	135 mm
Maximal joint width:	100 mm
Load rating trucks:	600 kN (DIN 1072)
Supply length:	3 mtr
Color of flexible insert:	black

Designs

Article No.	Profile height (h)	Recess (WxD)
VA.8.135/20	21 mm	300 x 31 mm
VA.8.135/35	36 mm	300 x 46 mm
VA.8.135/50	51 mm	300 x 61 mm
VA.8.135/60	61 mm	300 x 71 mm
VA.8.135/90	91 mm	300 x 101 mm



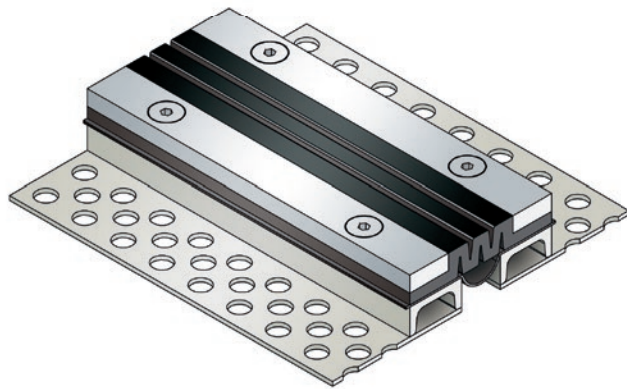
VA.8.135

Subject to technical change without notice.



VA.8.110/..

- high load-bearing capacity
- flexible to use



FEATURES

watertight, resistant to heavy loads, trafficable by fork-lift trucks, expansion insert can be replaced anytime, abrasion, weather and temperature resistant (-40°C bis +120°C), resistant to salt and waste-water (alcalics, microbes, bacteria), agreements may also be made for other sealing sections

APPLICATIONS

outdoor, multi-storey and underground park decks, ramp accesses, pedestrian bridges, all industrial applications

MATERIAL

hot-dip galvanised steel substructure and high-grade steel V2A surface, synthetic rubber flexible insert (EPDM), sealing insert made from Wolfin IB

COVERING TYPES

coating, concrete, screed, industrial covering, natural and stone slabs

TRAFFICABILITY

passenger car, trucks, fork-lifts

FORMED PARTS

upstand, end piece, corner piece, T piece, cross piece, transition floor to wall

NOTES

The sealing and flexible inserts are connected using M10 bolts positioned at intervals of 150 mm.

The sealing insert wich is looking on the sides of the profile out, has to be connected properly with the sealing system. This is very important to get a watertight result of the joint-profile.

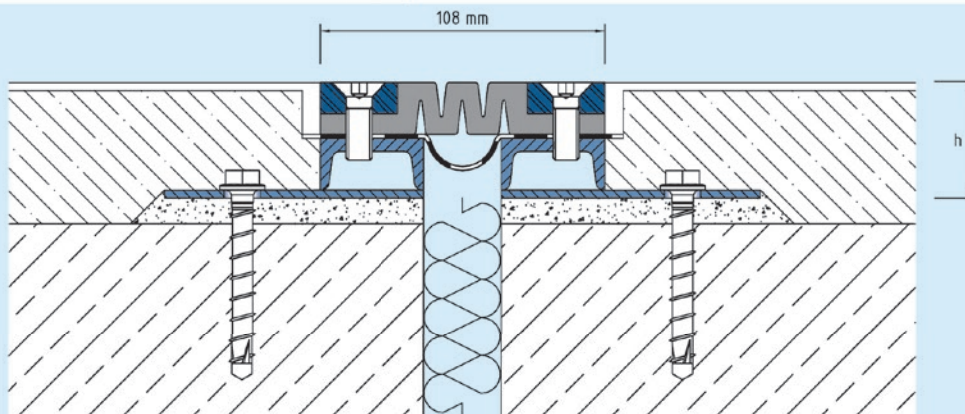
Technical data

Movement horizontal:	35 mm (-15/+20 mm)
Movement vertical:	20 mm (±10 mm)
Visible width:	108 mm
Maximal joint width:	50 mm
Load rating:	wheel load 5000 kg up to Ø 150 mm, B = 100 mm
Load rating trucks:	600 kN (DIN 1072)
Load rating forklifts:	150 kN (DIN 1055-3)
Supply length:	3 mtr
Color of flexible insert:	black

Designs

Article No.	Profile height (h)	Recess(WxD)
VA.8.110/30	30 mm	320 x 40 mm
VA.8.110/37	37 mm	320 x 47 mm
VA.8.110/45	45 mm	320 x 55 mm
VA.8.110/60	60 mm	320 x 70 mm
VA.8.110/75	75 mm	320 x 85 mm
VA.8.110/90	90 mm	400 x 100 mm
VA.8.110/104	104 mm	400 x 114 mm
VA.8.110/120	120 mm	400 x 130 mm
VA.8.110/150	150 mm	400 x 160 mm

Special heights on request.



VA.8.110

Subject to technical change without notice.



VA.8.95/0

- high load-bearing capacity
- installation in site-mixed concrete
- lightly structured surface with anti-slip effect

FEATURES

watertight, resistant to heavy loads, trafficable by fork-lift trucks, expansion insert can be replaced anytime, abrasion, weather and temperature resistant (-40°C bis +120°C), resistant to salt and waste-water (alcalics, microbes, bacteria), agreements may also be made for other sealing sections

APPLICATIONS

outdoor, multi-storey and underground park decks, ramp accesses, pedestrian bridges, all industrial applications

MATERIAL

hot-dip galvanised steel substructure and high-grade steel V2A surface, synthetic rubber flexible insert (EPDM), sealing insert made from Wolfin IB

COVERING TYPES

coating, concrete, industrial covering

TRAFFICABILITY

passenger car, trucks, fork-lifts

FORMED PARTS

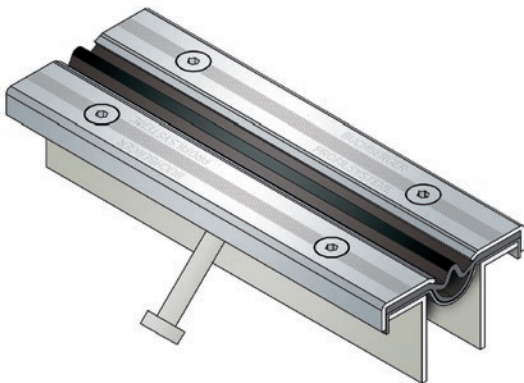
upstand, end piece, corner piece, T piece, cross piece, transition floor to wall

NOTES

The sealing and flexible inserts are connected using M8 bolts positioned at intervals of 150 mm.

Grouting profile VP5/20 is already installed at the factory.

The sealing insert wich is looking on the sides of the profile out, has to be connected properly with the sealing system. This is very important to get a watertight result of the joint-profile.

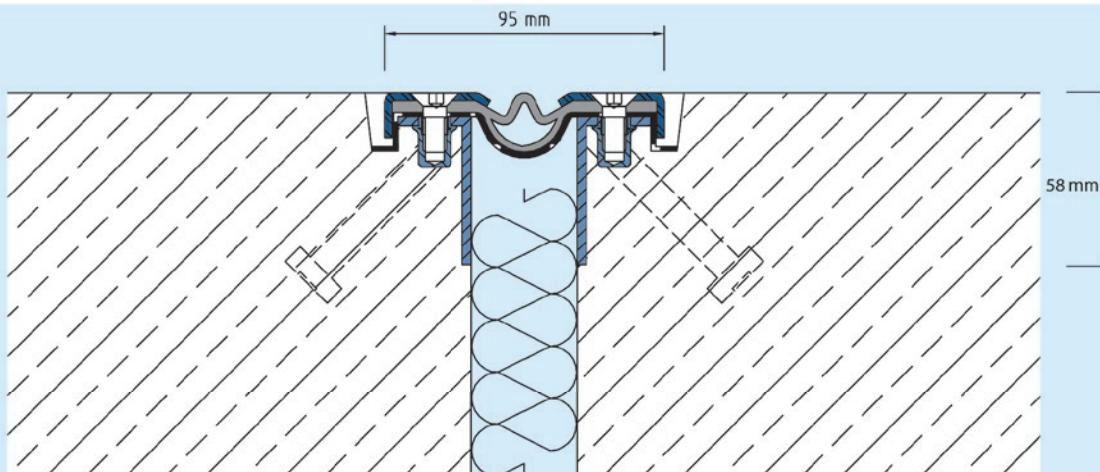


Technical data

Movement horizontal:	40 mm (±20 mm)
Movement vertical:	20 mm (±10 mm)
Visible width:	95 mm
Maximal joint width:	36 mm
Load rating:	wheel load 4500 kg up to Ø 150 mm, B = 100 mm
Load rating trucks:	600 kN (DIN 1072)
Load rating forklifts:	150 kN (DIN 1055-3)
Supply length:	3 mtr
Color of flexible insert:	black

Designs

Article No.	Profile height (h)
VA.8.95/0	58 mm



VA.8.95

Subject to technical change without notice.



VA.8.95/.. F

- high load-bearing capacity
- lightly structured surface with anti-slip effect
- with general building authority test certificate

FEATURES

watertight, resistant to heavy loads, trafficable by fork-lift trucks, expansion insert can be replaced anytime, abrasion, weather and temperature resistant (-40°C bis +120°C), resistant to salt and waste-water (alcalics, microbes, bacteria), agreements may also be made for other sealing sections

APPLICATIONS

outdoor, multi-storey and underground park decks, ramp accesses, pedestrian bridges, all industrial applications

MATERIAL

hot-dip galvanised steel substructure and high-grade steel V2A surface, synthetic rubber flexible insert (EPDM), sealing insert made from Wolfin IB

COVERING TYPES

asphalt, screed, natural and stone slabs

TRAFFICABILITY

passenger car, trucks, fork-lifts

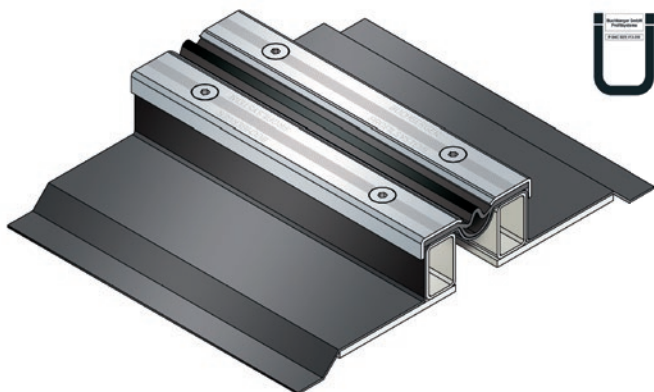
FORMED PARTS

upstand, membrane upstand, corner piece, T piece, cross piece, transition floor to wall

NOTES

The sealing and flexible inserts are connected using M8 bolts positioned at intervals of 150 mm.

The sealing insert wich is looking on the sides of the profile out, has to be connected properly with the sealing system. This is very important to get a watertight result of the joint-profile.

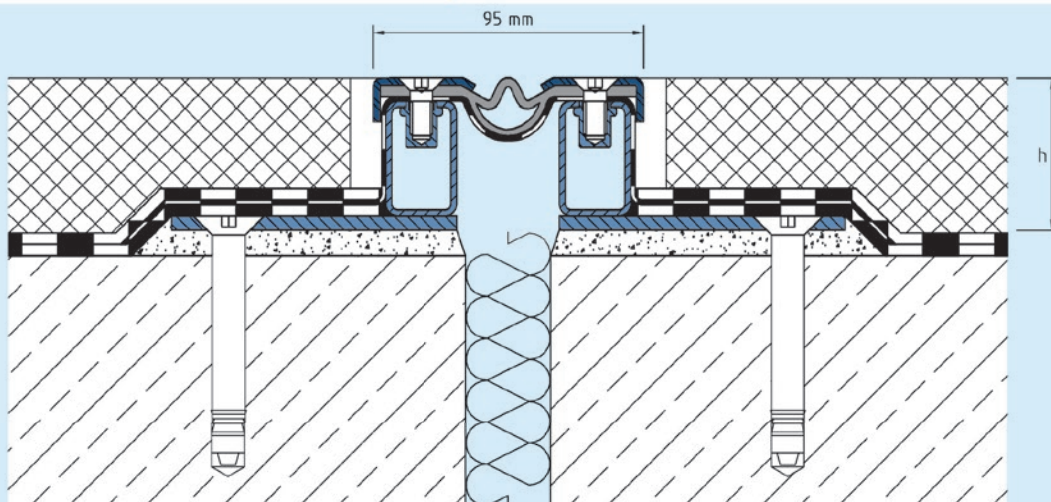


Technical data

Movement horizontal:	40 mm (±20 mm)
Movement vertical:	20 mm (±10 mm)
Visible width:	95 mm
Maximal joint width:	60 mm
Load rating:	wheel load 4500 kg up to Ø 150 mm, B = 100 mm
Load rating trucks:	600 kN (DIN 1072)
Load rating forklifts:	150 kN (DIN 1055-3)
Supply length:	3 mtr
Color of flexible insert:	black

Designs

Article No.	Profile height (h)	Recess(WxD)
VA.8.95/37 F	38 mm	1000 x 48 mm
VA.8.95/42 F	43 mm	1000 x 53 mm
VA.8.95/52 F	53 mm	1000 x 63 mm
VA.8.95/62 F	63 mm	1000 x 73 mm
VA.8.95/92 F	93 mm	1000 x 103 mm



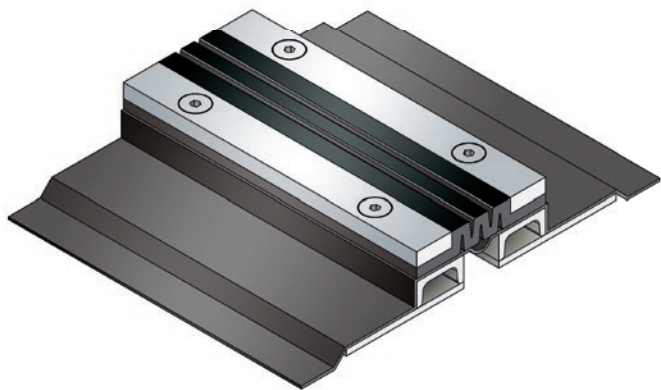
VA.8.95

Subject to technical change without notice.



VA.8.110/.. F

- high load-bearing capacity
- flexible to use



FEATURES

watertight, resistant to heavy loads, trafficable by fork-lift trucks, expansion insert can be replaced anytime, abrasion, weather and temperature resistant (-40°C bis +120°C), resistant to salt and waste-water (alcalics, microbes, bacteria), agreements may also be made for other sealing sections

APPLICATIONS

outdoor, multi-storey and underground park decks, ramp accesses, pedestrian bridges, all industrial applications

MATERIAL

hot-dip galvanised steel substructure and high-grade steel V2A surface, synthetic rubber flexible insert (EPDM), sealing insert made from Wolfin IB

COVERING TYPES

asphalt, screed, natural and stone slabs

TRAFFICABILITY

passenger car, trucks, fork-lifts

FORMED PARTS

upstand, membrane upstand, corner piece, T piece, cross piece, transition floor to wall

NOTES

The sealing and flexible inserts are connected using M10 bolts positioned at intervals of 150 mm.

The sealing insert wich is looking on the sides of the profile out, has to be connected properly with the sealing system. This is very important to get a watertight result of the joint-profile.

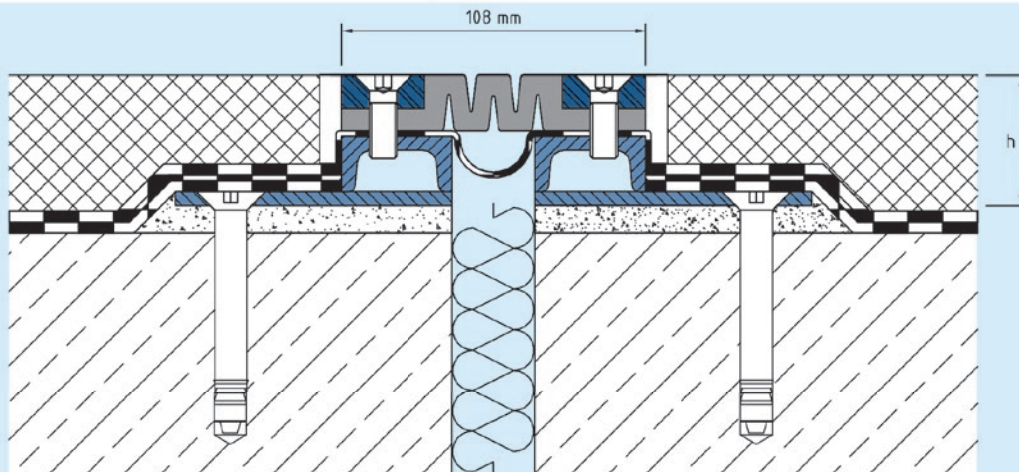
Technical data

Movement horizontal:	35 mm (-15/+20 mm)
Movement vertical:	20 mm (±10 mm)
Visible width:	108 mm
Maximal joint width:	50 mm
Load rating:	wheel load 5000 kg up to Ø 150 mm, B = 100 mm
Load rating trucks:	600 kN (DIN 1072)
Load rating forklifts:	150 kN (DIN 1055-3)
Supply length:	3 mtr
Color of flexible insert:	black

Designs

Article No.	Profile height (h)	Recess(WxD)
VA.8.110/32 F	33 mm	1000 x 43 mm
VA.8.110/47 F	47 mm	1000 x 57 mm
VA.8.110/62 F	62 mm	1000 x 72 mm
VA.8.110/77 F	77 mm	1000 x 87 mm
VA.8.110/92 F	92 mm	1000 x 102 mm
VA.8.110/107 F	107 mm	1000 x 117 mm
VA.8.110/120 F	120 mm	1000 x 130 mm
VA.8.110/150 F	150 mm	1000 x 160 mm

Special heights on request.



VA.8.110

Subject to technical change without notice.



BBF95/..

- high load-bearing capacity
- sealing insert approved by the building authorities
- lightly structured surface with anti-slip effect

FEATURES

watertight, resistant to heavy loads, trafficable by fork-lift trucks, expansion insert can be replaced anytime, abrasion, weather and temperature resistant (-40°C bis +120°C), resistant to salt and waste-water (alcalics, microbes, bacteria)

APPLICATIONS

outdoor, multi-storey and underground park decks, ramp accesses, pedestrian bridges, all industrial applications

MATERIAL

hot-dip galvanised steel substructure and high-grade steel V2A surface, synthetic rubber flexible insert (EPDM), joint tape (EPDM)

COVERING TYPES

asphalt, concrete, screed

TRAFFICABILITY

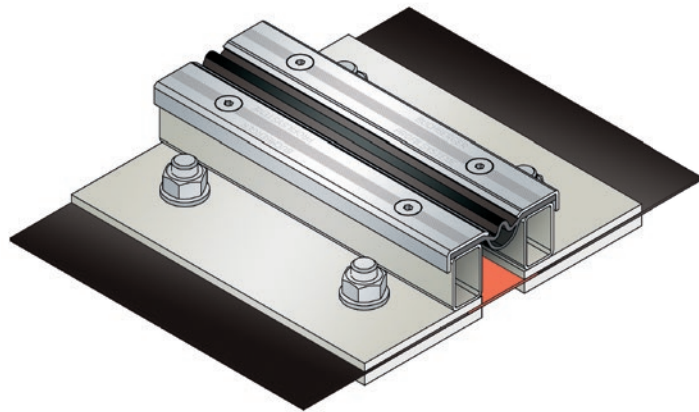
passenger car, trucks, fork-lifts

FORMED PARTS

upstand, membrane upstand, corner piece, T piece, cross piece, transition floor to wall

NOTES

Waterproof joint profile with loose and fixed flange. Indication Profile height (h) from the lower edge of the loose flange. The joint tape is a product of BBF ElastoFug joint tape systems.

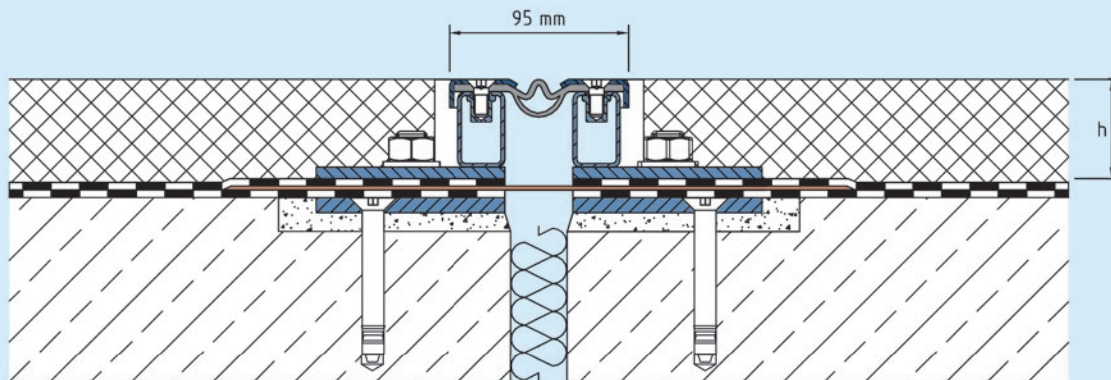


Technical data

Movement horizontal:	40 mm (±20 mm)
Movement vertical:	20 mm (±10 mm)
Visible width:	95 mm
Maximal joint width:	60 mm
Load rating:	wheel load 4500 kg up to Ø 150 mm, B = 100 mm
Load rating trucks:	600 kN (DIN 1072)
Load rating forklifts:	150 kN (DIN 1055-3)
Supply length:	3 mtr
Color of flexible insert:	black

Designs

Article No.	Profile height (h)	Recess(WxD)
BBF95/37	37 mm	290 x 20 mm
BBF95/42	42 mm	290 x 20 mm
BBF95/52	52 mm	290 x 20 mm
BBF95/62	62 mm	290 x 20 mm
BBF95/92	92 mm	290 x 20 mm



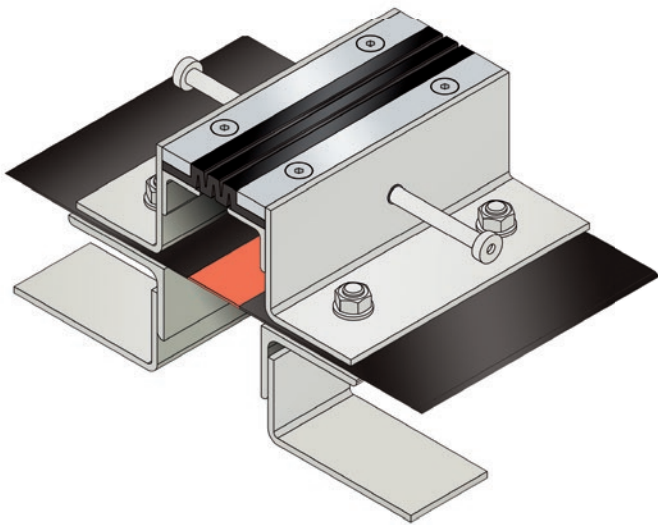
BBF95

Subject to technical change without notice.



BBF124/.. WD

- high load-bearing capacity
- for insulated constructions
- sealing insert approved by the building authorities



FEATURES

watertight, resistant to heavy loads, trafficable by fork-lift trucks, expansion insert can be replaced at a possible damage without damaging the adjacent pavement, abrasion, weather and temperature resistant (-40°C bis +120°C), resistant to salt and waste-water (alcalics, microbes, bacteria)

APPLICATIONS

outdoor, multi-storey and underground park decks, ramp accesses, pedestrian bridges, all industrial applications

MATERIAL

hot-dip galvanised steel, (high-grade steel on request), synthetic rubber flexible insert (EPDM), joint tape (EPDM)

COVERING TYPES

asphalt, concrete, screed

TRAFFICABILITY

passenger car, trucks, fork-lifts

FORMED PARTS

upstand, membrane upstand, corner piece, T piece, cross piece, transition floor to wall

NOTES

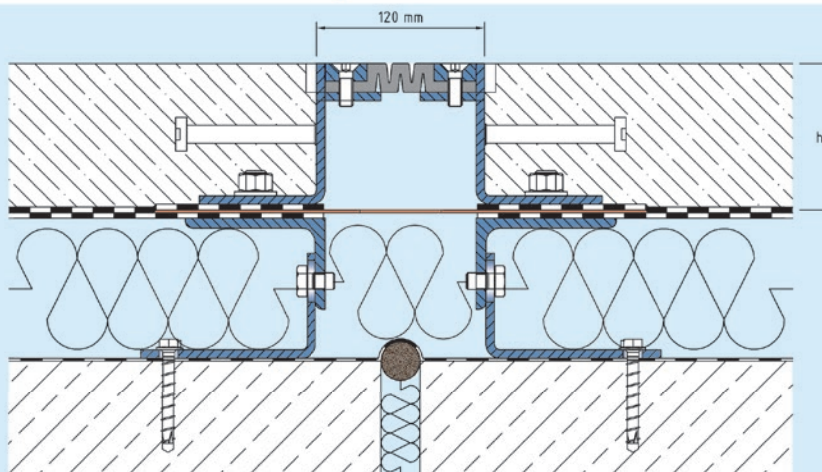
Waterproof joint profile with loose and fixed flange. Indication Profile height (h) from the lower edge of the loose flange. The joint tape is a product of BBF ElastoFug joint tape systems.

Technical data

Movement horizontal:	40 mm (-20/+20 mm)
Movement vertical:	20 mm (±10 mm)
Visible width:	120 mm
Maximal joint width:	80 mm
Load rating:	wheel load 5000 kg up to Ø 150 mm, B = 100 mm
Load rating trucks:	300 kN (DIN 1072)
Load rating forklifts:	70 kN (DIN 1055-3)
Supply length:	3 mtr
Color of flexible insert:	black

Designs

Article No.	Profile height (h)
BBF124/100 WD	100 mm
BBF124/120 WD	120 mm
BBF124/150 WD	150 mm
Special heights on request.	



BBF124

Subject to technical change without notice.



AL.5.70/..

- for medium loads
- three-dimensional absorption of movements
- anti-slip surface
- solid full-aluminium structure

FEATURES

resistant to heavy loads, trafficable by fork-lift trucks, punched bearing legs guarantee best connection to the subgrade/covering.

APPLICATIONS

all industrial applications, shopping centres, railway stations, airports, exhibition halls

MATERIAL

aluminium

COVERING TYPES

coating, concrete, screed, industrial covering, natural and stone slabs

TRAFFICABILITY

industrial trucks (lifting trucks, fork-lifts etc.), passenger car, trucks

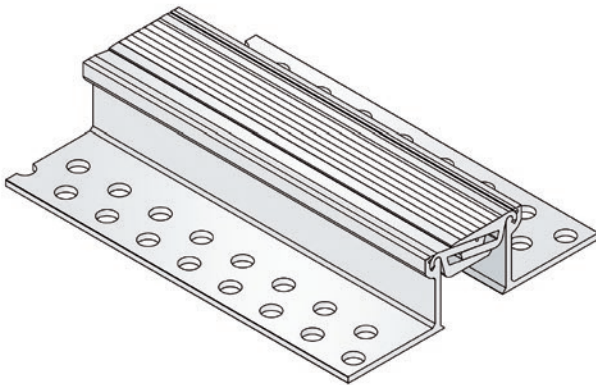
FORMED PARTS

corner piece, T piece, cross piece, transition floor to wall

NOTES

We recommend that the customer applies grout between profile and covering so as to avoid typical hairline cracks.

From a Profile height of 200 mm gusset plates are fixed on the sides to reinforce the Profile.

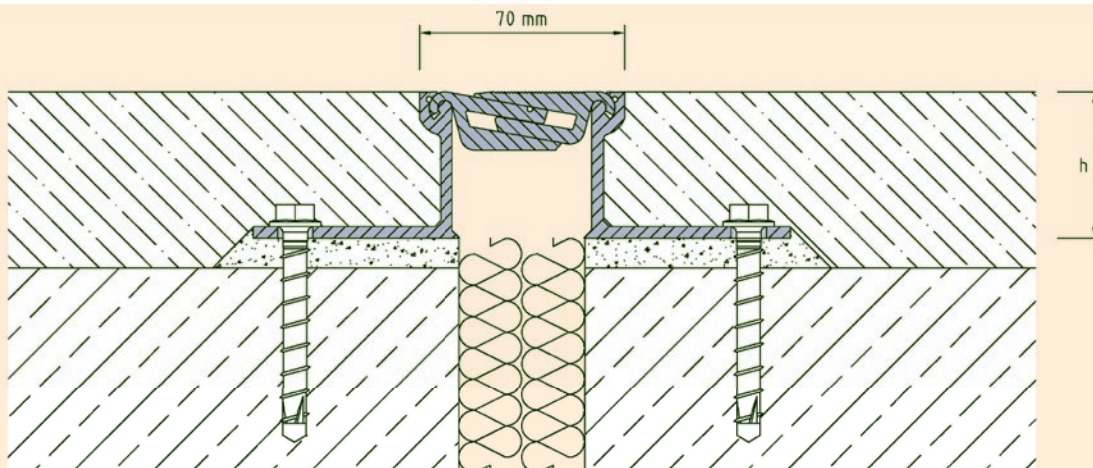


Technical data

Movement horizontal:	20 mm (±10 mm)
Movement vertical:	10 mm (±5 mm)
Visible width:	70 mm
Maximal joint width:	50 mm
Load rating:	wheel load 1500 kg up to Ø 150 mm, B = 100 mm
Load rating trucks:	600 kN (DIN 1072)
Load rating forklifts:	100 kN (DIN 1055-3)
Supply length:	3 mtr

Designs

Article No.	Profile height (h)	Recess(WxD)
AL.5.70/25	25 mm	230 x 35 mm
AL.5.70/37	37 mm	230 x 47 mm
AL.5.70/50	50 mm	230 x 60 mm
AL.5.70/65	65 mm	230 x 75 mm
AL.5.70/80	80 mm	230 x 90 mm
AL.5.70/100	100 mm	260 x 110 mm
AL.5.70/120	120 mm	260 x 130 mm
Special heights on request.		



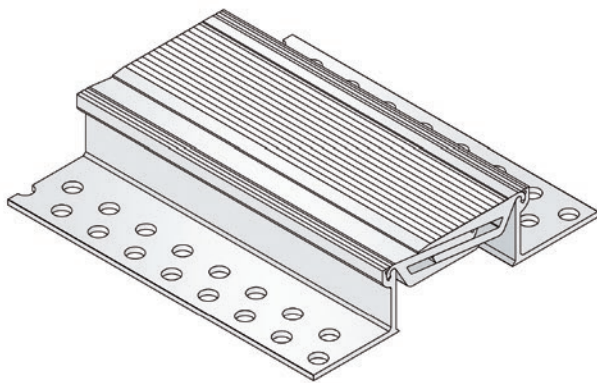
AL.5.70

Subject to technical change without notice.



AL.5.120/..

- for normal loads
- three-dimensional absorption of movements
- anti-slip surface
- solid full-aluminium structure



FEATURES

resistant to heavy loads, trafficable by fork-lift trucks, punched bearing legs guarantee best connection to the subgrade/covering.

APPLICATIONS

all industrial applications, shopping centres, railway stations, airports, exhibition halls

MATERIAL

aluminium

COVERING TYPES

coating, concrete, screed, industrial covering, natural and stone slabs

TRAFFICABILITY

industrial trucks (lifting trucks, fork-lifts etc.), passenger car, trucks

FORMED PARTS

corner piece, T piece, cross piece, transition floor to wall

NOTES

We recommend that the customer applies grout between profile and covering so as to avoid typical hairline cracks.

From a Profile height of 200 mm gusset plates are fixed on the sides to reinforce the Profile.

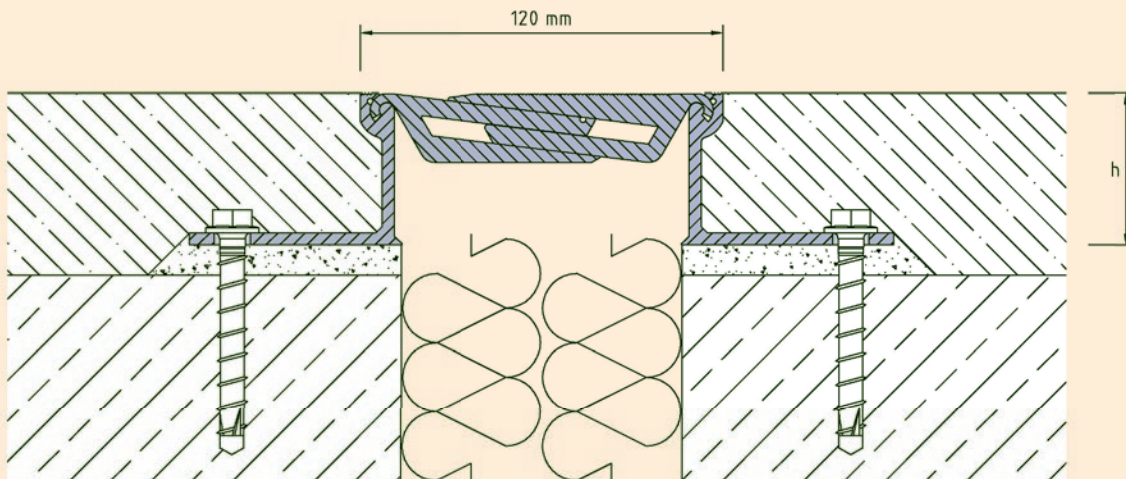
Technical data

Movement horizontal:	40 mm (±20 mm)
Movement vertical:	20 mm (±10 mm)
Visible width:	120 mm
Maximal joint width:	95 mm
Load rating:	wheel load 1000 kg up to Ø 150 mm, B = 100 mm
Load rating trucks:	300 kN (DIN 1072)
Load rating forklifts:	70 kN (DIN 1055-3)
Supply length:	3 mtr

Designs

Article No.	Profile height (h)	Recess (WxD)
AL.5.120/25	25 mm	280 x 35 mm
AL.5.120/37	37 mm	280 x 47 mm
AL.5.120/50	50 mm	280 x 60 mm
AL.5.120/65	65 mm	280 x 75 mm
AL.5.120/80	80 mm	280 x 90 mm
AL.5.120/100	100 mm	310 x 110 mm
AL.5.120/120	120 mm	310 x 130 mm

Special heights on request.



AL.5.120

Subject to technical change without notice.



VA.6.110/..

- for heavy loads
- vibration-free trafficability
- visible surface in high-grade steel

FEATURES

resistant to heavy loads, trafficable by fork-lift trucks, punched bearing legs guarantee best connection to the subgrade/covering.

APPLICATIONS

all industrial applications, areas with use of driverless vehicular systems, shopping centres, railway stations, airports, exhibition halls

MATERIAL

hot-dip galvanised steel substructure and high-grade steel V2A surface

COVERING TYPES

coating, concrete, screed, industrial covering, natural and stone slabs

TRAFFICABILITY

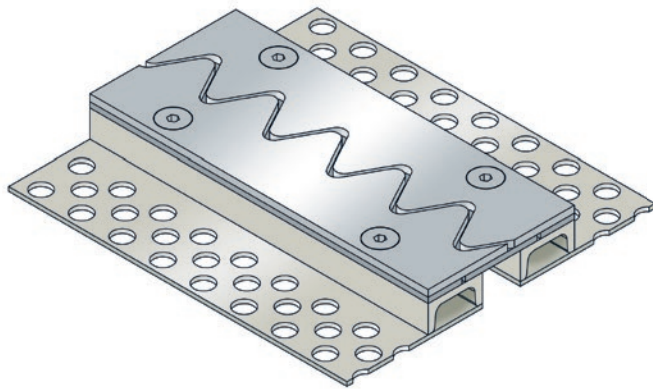
industrial trucks (lifting trucks, fork-lifts etc.), passenger car, trucks

FORMED PARTS

corner piece, T piece, cross piece, transition floor to wall

NOTES

We recommend that the customer applies grout between profile and covering so as to avoid typical hairline cracks.

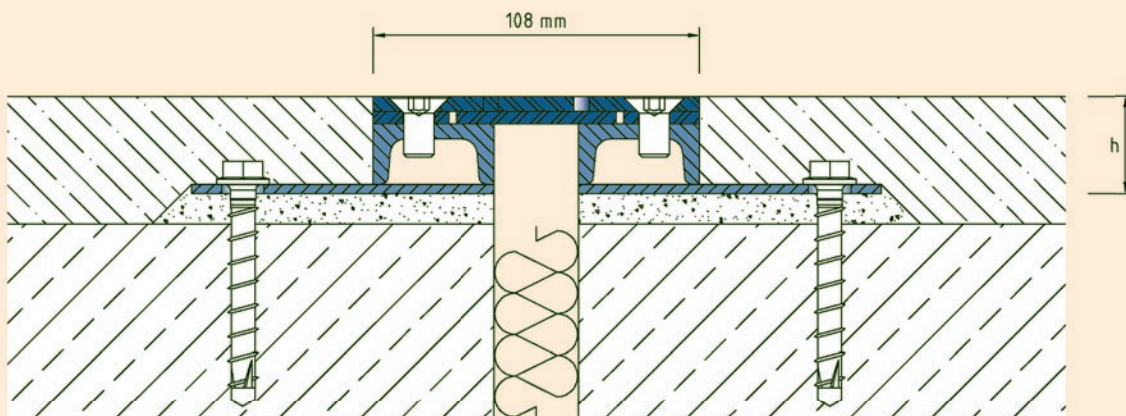


Technical data

Movement horizontal:	13 mm (-5/+8 mm)
Visible width:	108 mm
Maximal joint width:	30 mm
Load rating:	wheel load 5000 kg up to Ø 150 mm, B = 100 mm
Load rating trucks:	600 kN (DIN 1072)
Load rating forklifts:	150 kN (DIN 1055-3)
Supply length:	3 mtr

Designs

Article No.	Profile height (h)	Recess(WxD)
VA.6.110/32	31 mm	270 x 41 mm
VA.6.110/47	46 mm	270 x 56 mm
VA.6.110/62	61 mm	270 x 71 mm
VA.6.110/77	76 mm	270 x 86 mm
VA.6.110/92	91 mm	270 x 101 mm
Special heights on request.		



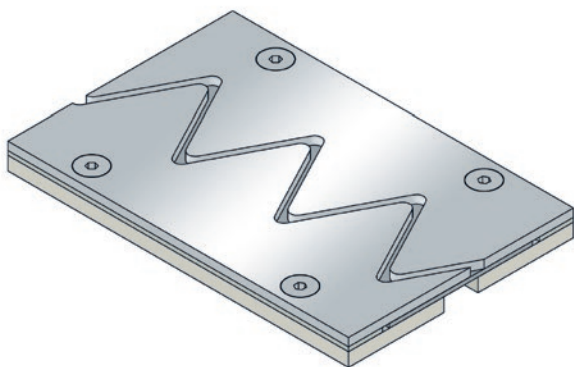
VA.6.110

Subject to technical change without notice.



VA.6.165/19

- for heavy loads
- low profile height
- vibration-free trafficability
- visible surface in high-grade steel



FEATURES

resistant to heavy loads, trafficable by fork-lift trucks, the special profile design means that no bearing leg slips under the floor covering (this prevents thin industrial floor coverings from tearing)

APPLICATIONS

all industrial applications, areas with use of driverless vehicular systems, shopping centres, railway stations, airports, exhibition halls

MATERIAL

hot-dip galvanised steel substructure and high-grade steel V2A surface

COVERING TYPES

coating, concrete, screed, industrial covering, magnesia flooring, natural and stone slabs

TRAFFICABILITY

industrial trucks (lifting trucks, fork-lifts etc.), passenger car, trucks

FORMED PARTS

corner piece, T piece, cross piece, transition floor to wall

NOTES

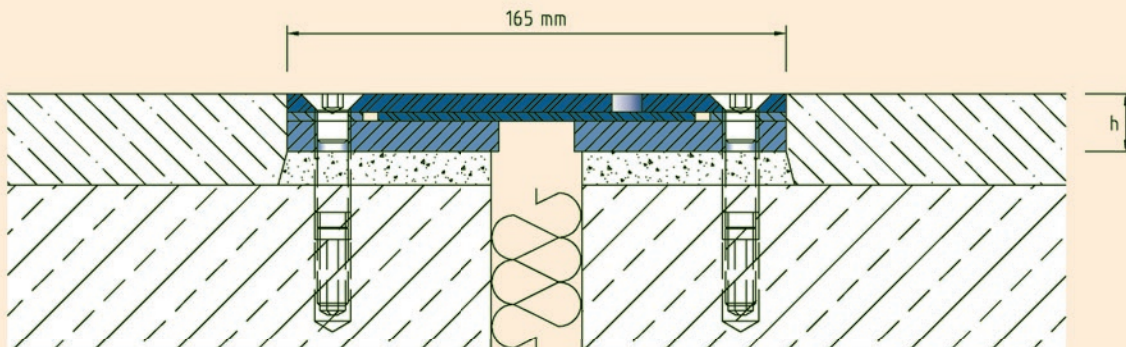
We recommend that the customer applies grout between profile and covering so as to avoid typical hairline cracks.

Technical data

Movement horizontal:	30 mm (-10/+20 mm)
Visible width:	165 mm
Maximal joint width:	30 mm
Load rating:	wheel load 5000 kg up to Ø 150 mm, B = 100 mm
Load rating trucks:	600 kN (DIN 1072)
Load rating forklifts:	150 kN (DIN 1055-3)
Supply length:	3 mtr

Designs

Article No.	Profile height (h)	Recess (WxD)
VA.6.165/19	19 mm	300 x 29 mm



VA.6.165

Subject to technical change without notice.



AL.1.38/..

- replaceable flexible insert
- Non-PVC
- stable aluminium joists

FEATURES

expansion insert can be replaced anytime, abrasion, weather and temperature resistant (-40°C bis +120°C), punched bearing legs guarantee best connection to the subgrade/covering.

APPLICATIONS

residential, office and administration buildings

MATERIAL

aluminium, synthetic rubber flexible insert (EPDM)

COVERING TYPES

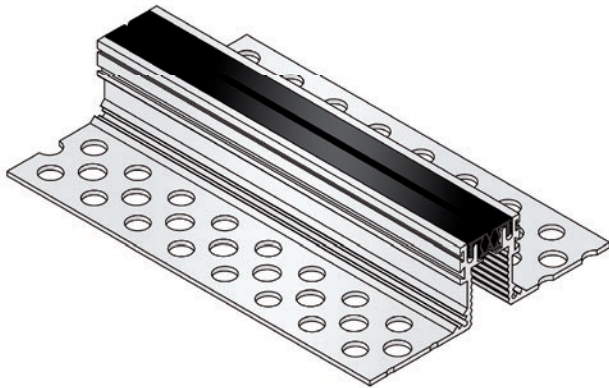
screed, natural and stone slabs

FORMED PARTS

corner piece, T piece, cross piece, transition floor to wall

NOTES

In case of mastic asphalt, please request a technical consultation.

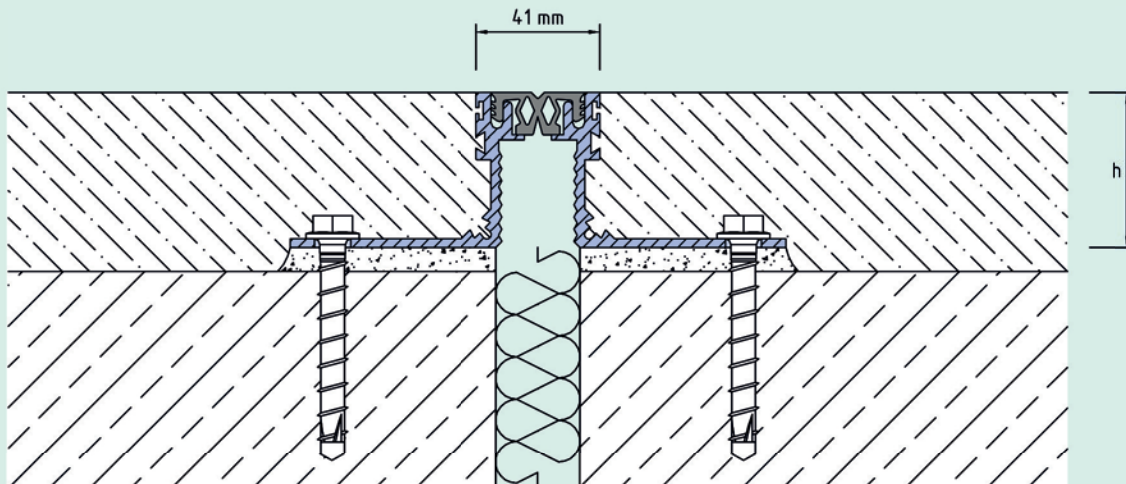


Technical data

Movement horizontal:	10 mm (±5 mm)
Movement vertical:	8 mm (±4 mm)
Visible width:	41 mm
Maximal joint width:	30 mm
Load rating:	wheel load 700 kg up to Ø 150 mm, B = 100 mm
Supply length:	3 mtr
Color of flexible insert:	black or grey

Designs

Article No.	Profile height (h)	Recess(WxD)
AL.1.38/20	20 mm	200 x 30 mm
AL.1.38/33	33 mm	200 x 43 mm
AL.1.38/50	50 mm	200 x 60 mm
AL.1.38/63	63 mm	200 x 73 mm
AL.1.38/83	83 mm	200 x 93 mm
AL.1.38/103	103 mm	200 x 113 mm
AL.1.38/123	123 mm	200 x 133 mm
Special heights on request.		



AL.1.38

Subject to technical change without notice.



AL.1.54/..

- replaceable flexible insert
- Non-PVC
- stable aluminium joists

FEATURES

expansion insert can be replaced anytime, abrasion, weather and temperature resistant (-40°C bis +120°C), punched bearing legs guarantee best connection to the subgrade/covering.

APPLICATIONS

residential, office and administration buildings

MATERIAL

aluminium, synthetic rubber flexible insert (EPDM)

COVERING TYPES

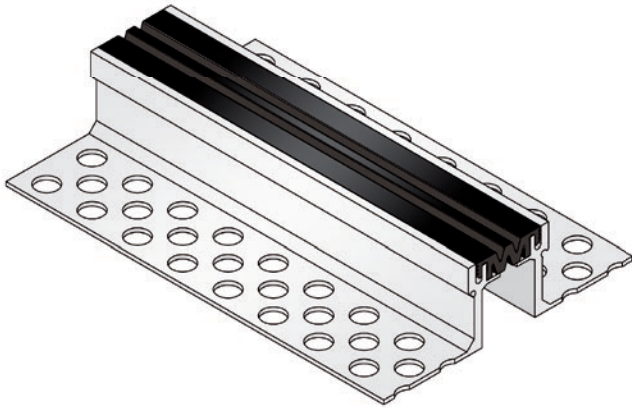
coating, screed, natural and stone slabs

FORMED PARTS

corner piece, T piece, cross piece, transition floor to wall

NOTES

In case of mastic asphalt, please request a technical consultation.



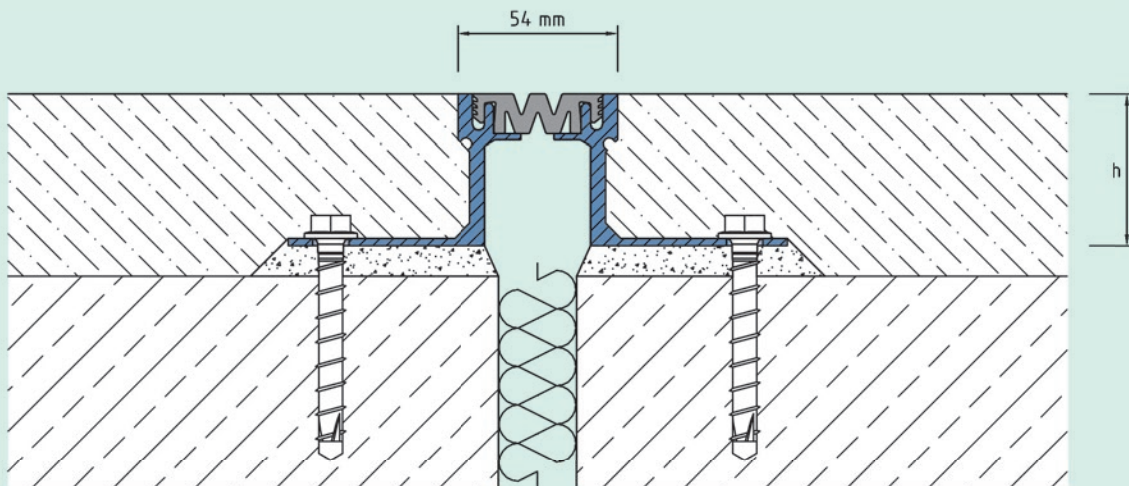
Technical data

Movement horizontal:	16 mm (±8 mm)
Movement vertical:	12 mm (±6 mm)
Visible width:	54 mm
Maximal joint width:	40 mm
Load rating:	wheel load 700 kg up to Ø 150 mm, B = 100 mm
Supply length:	3 mtr
Color of flexible insert:	black

Designs

Article No.	Profile height (h)	Recess(WxD)
AL.1.54/20	20 mm	210 x 30 mm
AL.1.54/33	33 mm	210 x 43 mm
AL.1.54/50	50 mm	210 x 60 mm
AL.1.54/63	63 mm	210 x 73 mm
AL.1.54/83	83 mm	210 x 93 mm
AL.1.54/103	103 mm	210 x 113 mm
AL.1.54/123	123 mm	210 x 133 mm

Special heights on request.



AL.1.54

Subject to technical change without notice.



VA.3.20/..

- replaceable flexible insert
- narrow visible surface
- Non-PVC

FEATURES

expansion insert can be replaced anytime, abrasion, weather and temperature resistant (-40°C bis +120°C), resistant to salt and waste-water (alcalics, microbes, bacteria), punched bearing legs guarantee best connection to the subgrade/covering.

APPLICATIONS

shopping centres, railway stations, airports, exhibition halls, residential, office and administration buildings

MATERIAL

high-grade steel V2A, synthetic rubber flexible insert (EPDM)

COVERING TYPES

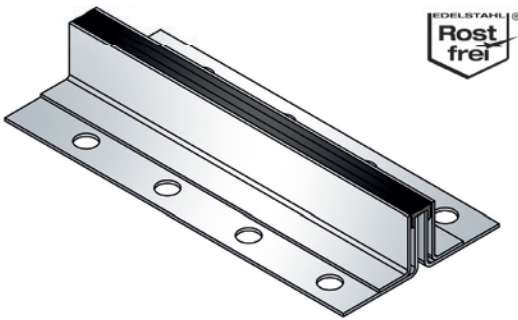
coating, screed, natural and stone slabs

FORMED PARTS

corner piece, T piece, cross piece

NOTES

In case of mastic asphalt, please request a technical consultation.

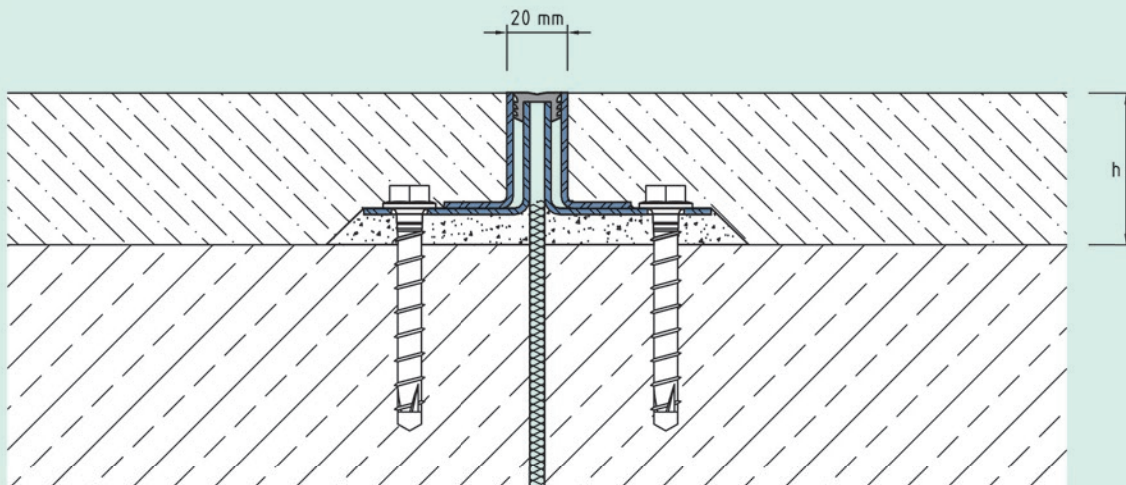


Technical data

Movement horizontal:	4 mm (±2 mm)
Movement vertical:	2 mm (±1 mm)
Visible width:	20 mm
Maximal joint width:	15 mm
Load rating:	wheel load 700 kg up to Ø 150 mm, B = 100 mm
Supply length:	3 mtr
Color of flexible insert:	black or grey

Designs

Article No.	Profile height (h)	Recess(WxD)
VA.3.20/20	20 mm	160 x 30 mm
VA.3.20/30	30 mm	160 x 40 mm
VA.3.20/40	40 mm	160 x 50 mm
VA.3.20/50	50 mm	160 x 60 mm
VA.3.20/60	60 mm	160 x 70 mm
VA.3.20/80	80 mm	160 x 90 mm
Special heights on request.		



VA.3.20

Subject to technical change without notice.



VA.3.60/..

- replaceable flexible insert
- Non-PVC

FEATURES

expansion insert can be replaced anytime, abrasion, weather and temperature resistant (-40°C bis +120°C), resistant to salt and waste-water (alcalics, microbes, bacteria), punched bearing legs guarantee best connection to the subgrade/covering.

APPLICATIONS

shopping centres, railway stations, airports, exhibition halls, residential, office and administration buildings

MATERIAL

high-grade steel V2A, synthetic rubber flexible insert (EPDM)

COVERING TYPES

coating, screed, natural and stone slabs

FORMED PARTS

corner piece, T piece, cross piece, transition floor to wall

NOTES

In case of mastic asphalt, please request a technical consultation.

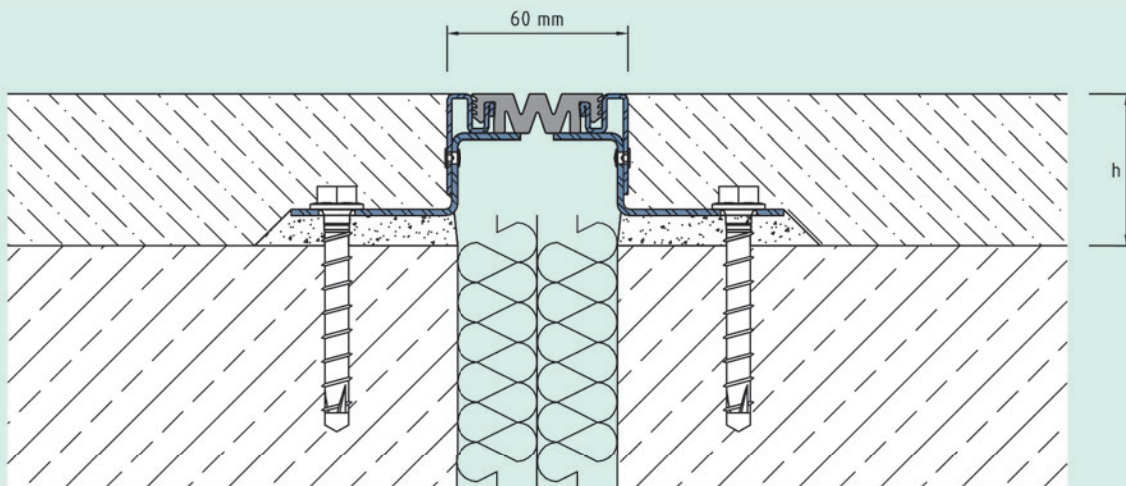


Technical data

Movement horizontal:	16 mm (±8 mm)
Movement vertical:	12 mm (±6 mm)
Visible width:	60 mm
Maximal joint width:	55 mm
Load rating:	wheel load 700 kg up to Ø 150 mm, B = 100 mm
Supply length:	3 mtr
Color of flexible insert:	black

Designs

Article No.	Profile height (h)	Recess(WxD)
VA.3.60/30	30 mm	210 x 40 mm
VA.3.60/40	40 mm	210 x 50 mm
VA.3.60/50	50 mm	210 x 60 mm
VA.3.60/60	60 mm	210 x 70 mm
VA.3.60/80	80 mm	210 x 90 mm

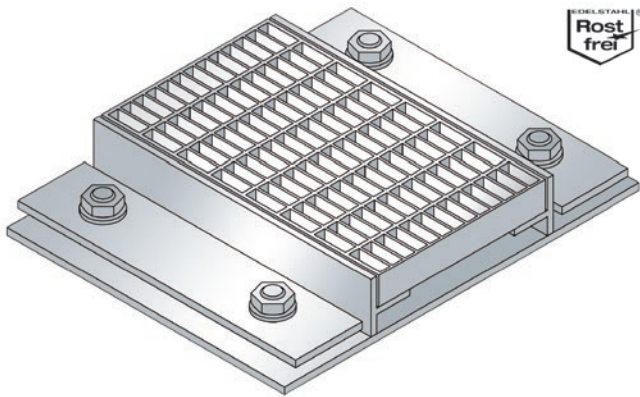


VA.3.60

Subject to technical change without notice.

ALR.1.150/..

- high load-bearing capacity
- with loose/fixed flange



FEATURES

resistant to heavy loads, durable leak-proof, noncorrosive, high flexibility (variable lengths, heights and widths), mesh size of the steel grating in 30X10 mm or 30x30 mm possible

APPLICATIONS

outdoor, multi-storey and underground park decks, all industrial applications, shopping centres, railway stations, airports, exhibition halls

MATERIAL

hot-dip galvanised steel, high-grade steel V4A (on request)

COVERING TYPES

asphalt, screed

TRAFFICABILITY

truck (on request)

FORMED PARTS

gutter end piece (flange all around or upstand), corner piece, T piece, cross piece, gutter drain, 2 lock per grid

NOTES

A leak-proof welding of several gutter-parts happens in the course of installing at the building site.

Drainage slots are possible (on request).

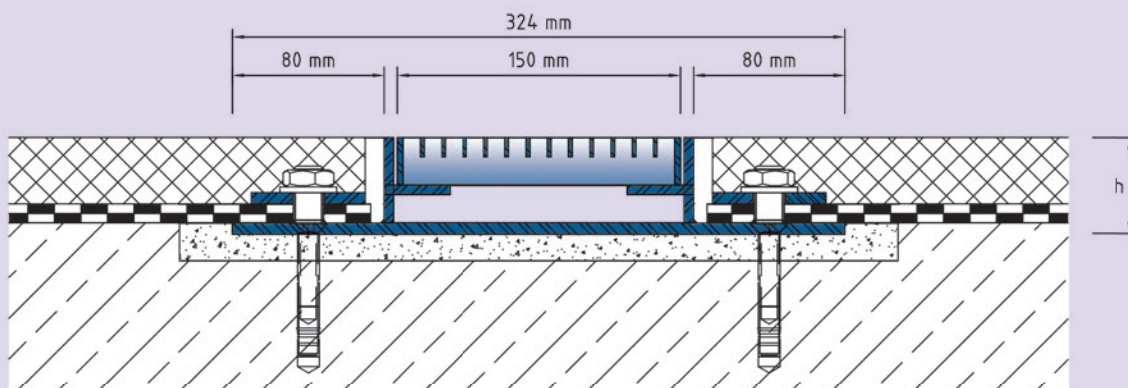
For stainless steel gutters, the general cleaning and care instructions must be observed (see also www.buprofile.de - Download section).

Technical data

Material thickness fixed flange: 6 mm
 Material thickness vertical base: 5 mm
 Supply length: 3 mtr
 Steel grating width: 150 mm

Designs

Article No.	Gutter Height (h)	Recess(WxD)
ALR.1.150/51	51 mm	380 x 20 mm
ALR.1.150/61	61 mm	380 x 20 mm
ALR.1.150/81	81 mm	380 x 20 mm
Special heights on request.		



ALR.1.150

Subject to technical change without notice.

ALR.2.150/..

- suitable for all types of covering
- high load-bearing capacity
- with adhering flange

FEATURES

resistant to heavy loads, durable leak-proof, noncorrosive, high flexibility (variable lengths, heights and widths), mesh size of the steel grating in 30X10 mm or 30x30 mm possible

APPLICATIONS

outdoor, multi-storey and underground park decks, all industrial applications, shopping centres, railway stations, airports, exhibition halls

MATERIAL

hot-dip galvanised steel, high-grade steel V4A (on request)

COVERING TYPES

asphalt, concrete, screed

TRAFFICABILITY

truck (on request)

FORMED PARTS

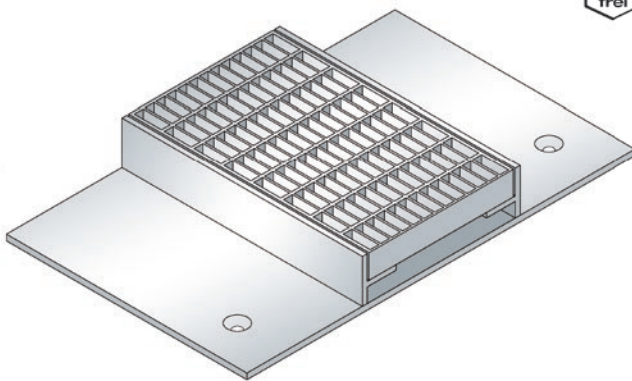
gutter end piece (flange all around or upstand), corner piece, T piece, cross piece, gutter drain, 2 lock per grid

NOTES

A leak-proof welding of several gutter-parts happens in the course of installing at the building site.

Drainage slots are possible (on request).

For stainless steel gutters, the general cleaning and care instructions must be observed (see also www.buprofile.de -Download section).

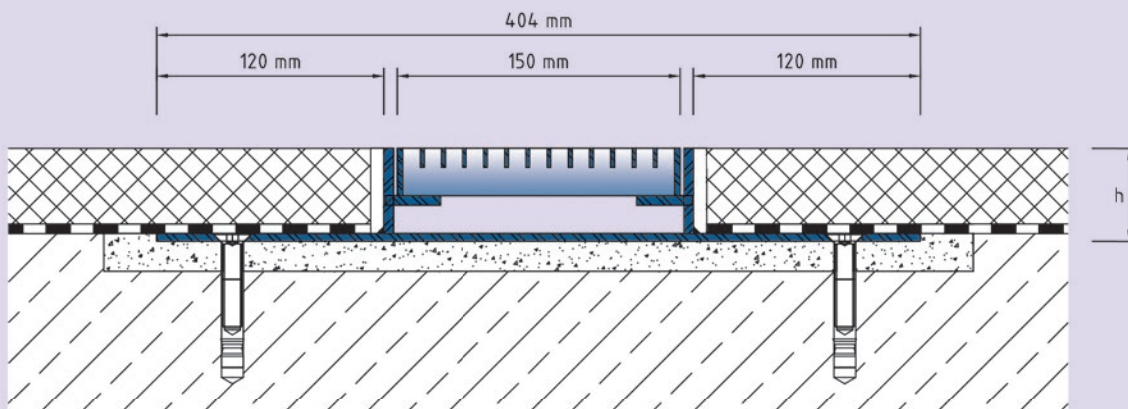


Technical data

Material thickness bonding flange: 4 mm
 Material thickness vertical base: 5 mm
 Supply length: 3 mtr
 Steel grating width: 150 mm

Designs

Article No.	Gutter Height (h)	Recess(WxD)
ALR.2.150/49	49 mm	460 x 20 mm
ALR.2.150/59	59 mm	460 x 20 mm
ALR.2.150/79	79 mm	460 x 20 mm
Special heights on request.		



ALR.2.150

Subject to technical change without notice.

ALR.4.150/..

- car-trafficable
- low profile height
- with coating-flange

FEATURES

durable leak-proof, noncorrosive, high flexibility (variable lengths, heights and widths), mesh size of the steel grating in 30X10 mm or 30x30 mm possible

APPLICATIONS

outdoor, multi-storey and underground park decks, all industrial applications, shopping centres, railway stations, airports, exhibition halls

MATERIAL

high-grade steel V4A (on request)

COVERING TYPES

coating, screed, industrial covering

TRAFFICABILITY

passenger car

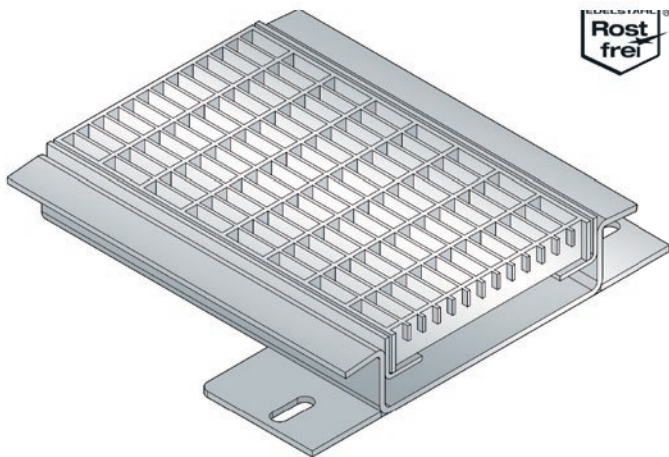
FORMED PARTS

gutter end piece (flange all around or upstand), corner piece, T piece, cross piece, gutter drain, 2 lock per grid

NOTES

A leak-proof welding of several gutter-parts happens in the course of installing at the building site.

For stainless steel gutters, the general cleaning and care instructions must be observed (see also www.buprofile.de -Download section).

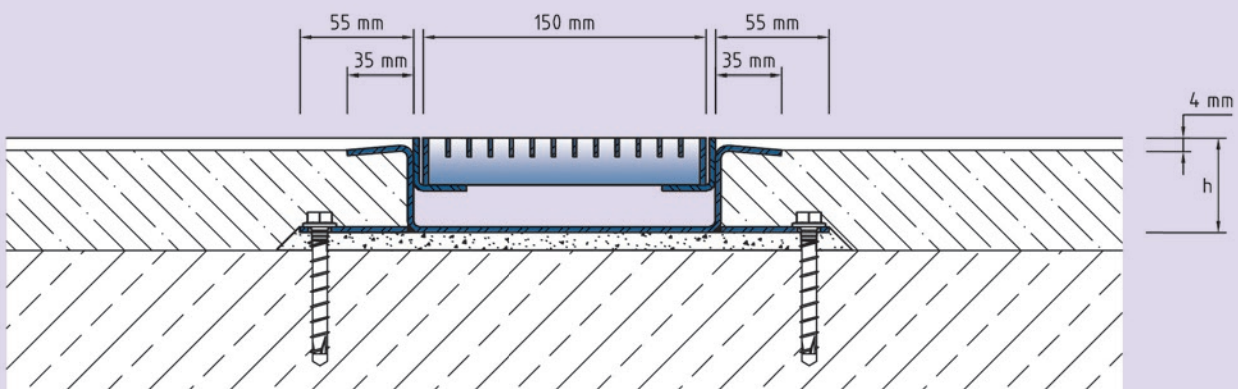


Technical data

Material/sheet thickness: 3 mm
 Supply length: 3 mtr
 Steel grating width: 150 mm

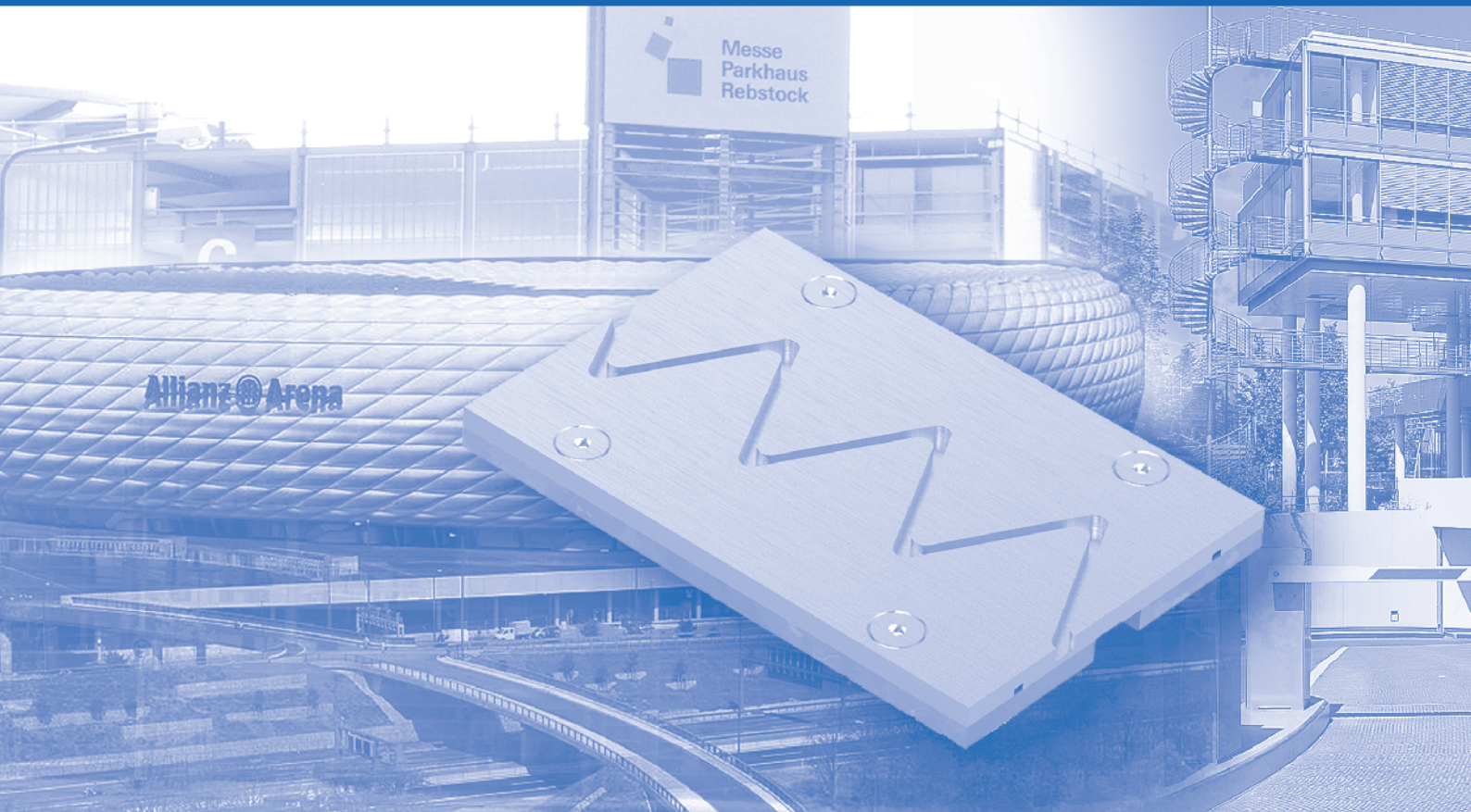
Designs

Article No.	Gutter Height (h)	Recess(WxD)
ALR.4.150/50	50 mm	310 x 60 mm
ALR.4.150/60	60 mm	310 x 70 mm
Special heights on request.		



ALR.4.150

Subject to technical change without notice.



PERFECT JOINT PROFILES - SERVICE EXCELLENCE

**BUCHBERGER PROFILSYSTEME
BUCHBERGER GmbH**

**Pfünzer Strasse 15
D-85122 Hofstetten**

**Telefon +49(0)8406-9294-0
Telefax +49(0)8406-9294-20**

**www.buprofile.de
info@buprofile.de**



More information about
BUCHBERGER PROFILSYSTEME and
our complete product range under:
www.buprofile.de

BUCHBERGER PROFILSYSTEME
and BUPROFILE are registered
brand names of the Buchberger
GmbH.



**BUCHBERGER
PROFILSYSTEME**